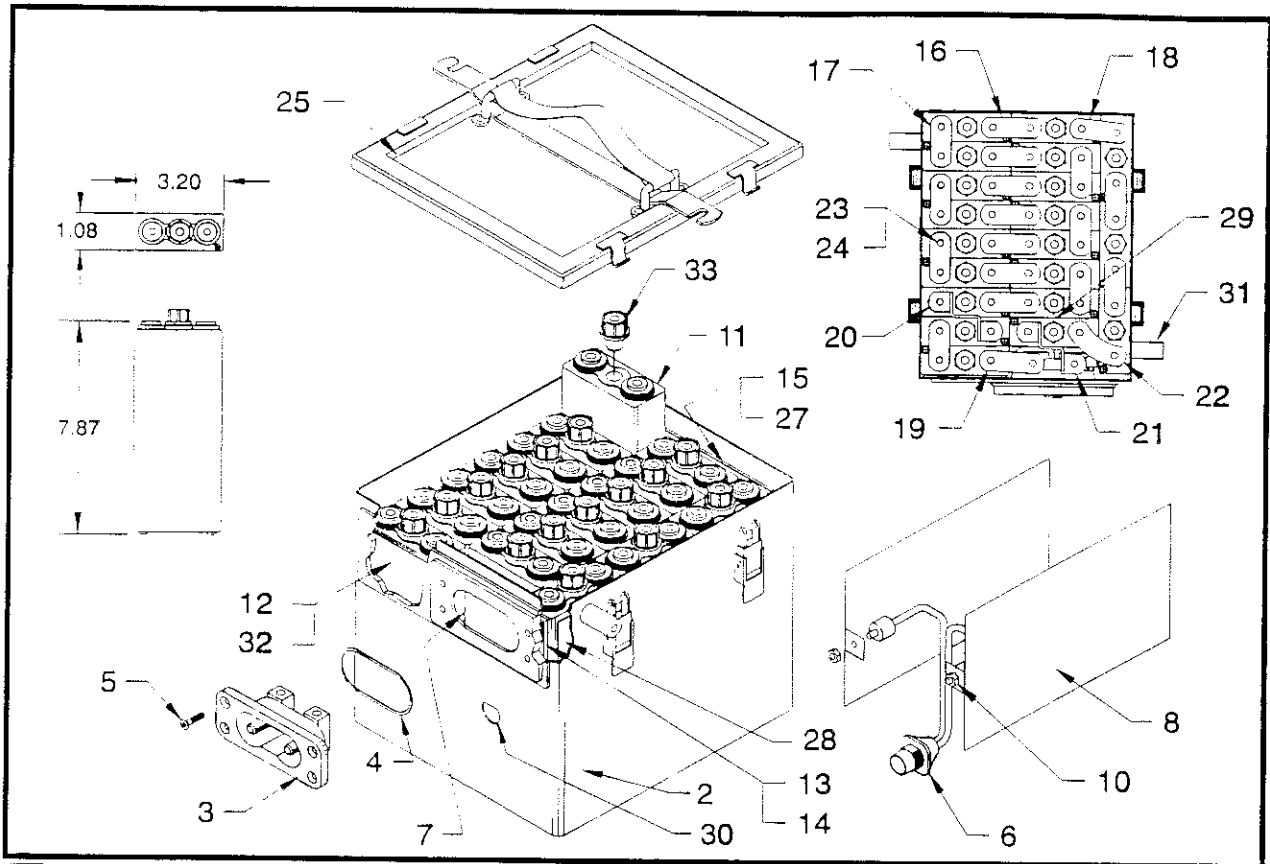


Marathon Power Technologies Company

Nickel-Cadmium Aircraft Batteries Model TSP - 9117B Replacement Parts



ITEM	DESCRIPTION	PART NUMBER	QTY	ITEM	DESCRIPTION	PART NUMBER	QTY
1	BATTERY, TSP-9117B	31455-002	1	18	CONNECTOR	16102-032	1
2	CAN, MARKED	40405-002	1	19	CONNECTOR	16102-123	1
3	ASSEMBLY, RECEPTACLE	16163-003	1	20	CONNECTOR	28099-003	1
4	RING, RECTANGULAR	24583-001	1	21	CONNECTOR	18099-004	1
5	SCREWS	23084-001	4	22	CONNECTOR	18006-002	1
6	ASSEMBLY, HARNESS, TEMP.	29432-009	1	23	SCREW, SOC. HD.	10488-020	42
7	ASSEMBLY, SPACER	31260-002	1	24	WASHER, BELLEVILLE	16128-028	42
8	PLATE, THERMAL	30718-003	2	25	COVER, MARKED	40327-002	1
9	COVER, DUST	26916-001	1	26	SPRING, SHORT OUT	25908-001	1
10	NUT, HEX. ESNA	15013-012	2	27	SHIM	9988-027	1
11	CELL, 24SP100	30102-01C	20	28	SHIM	9988-051	2
12	SHIM	9988-174	3	29	BARRIER	9988-159	1
13	SHIM	9988-236	1	30	DUST CAP	16065-001	1
14	SHIM	9988-050	3	31	DUST CAP	16065-012	2
15	SHIM	9988-049	1	32	SHIM	9988-101	2
16	CONNECTOR	16102-018	9	33	FILLER CAP	16934-001	20
17	CONNECTOR	16102-052	7	34			



Marathon Power Technologies Company

Battery Products

P.O. Box 8233, Waco, Texas 76714

8301 Imperial Drive, Waco, Texas 76712

TEL (817) 776-0650 FAX (817) 776-6558

Hi010996