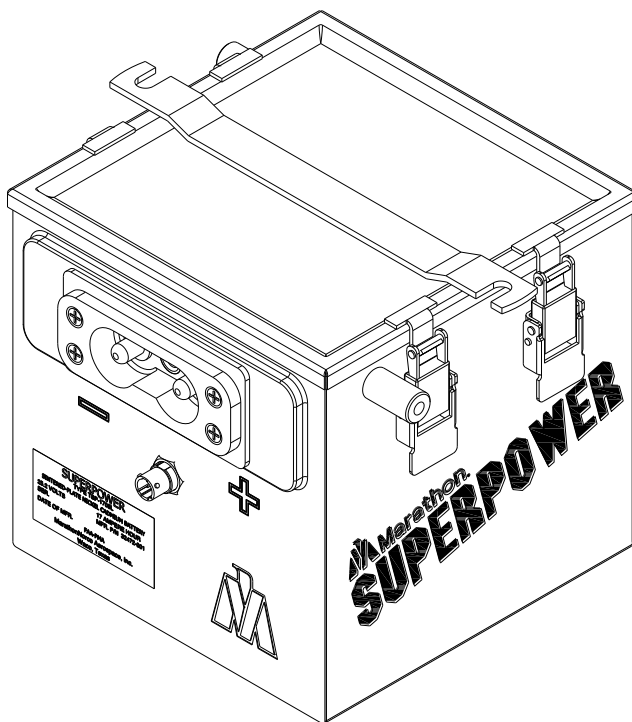




## Nickel-Cadmium Aircraft Batteries

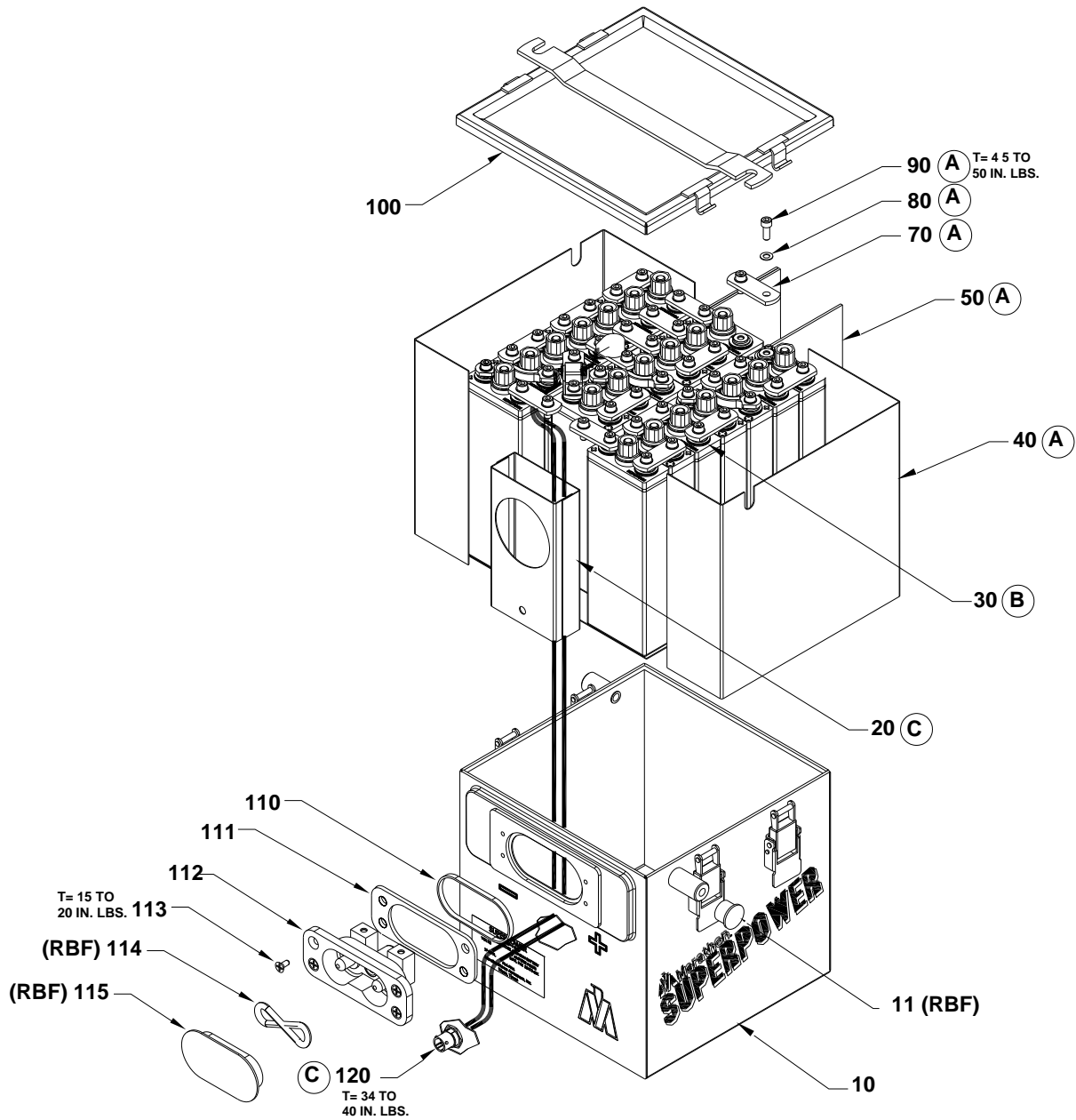
Model TSP-1708L (P/N 32472-001) Battery Replacement Parts



**MarathonNorco Aerospace**

PO Box 8233, Waco, Texas 76714-8233  
8301 Imperial Dr., Waco, Texas 76712  
Phone (254) 776-0650 / Fax (254) 776-6558

DCR 59880  
IPL-1060 Rev. 1

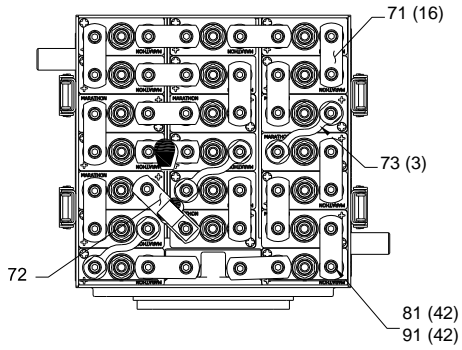


T=TORQUE (IN. LBS.)  
EXPLODED VIEW

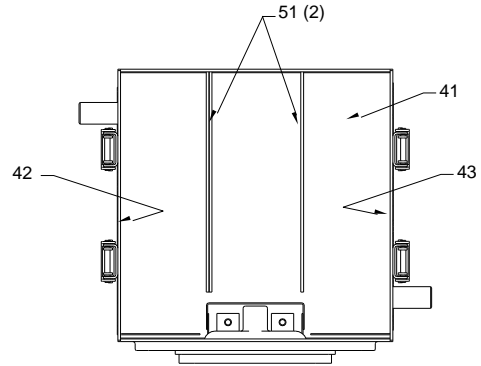
**MarathonNorco Aerospace**

PO Box 8233, Waco, Texas 76714-8233  
8301 Imperial Dr., Waco, Texas 76712  
Phone (254) 776-0650 / Fax (254) 776-6558

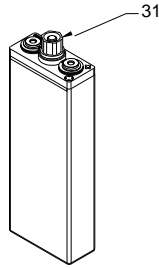
DCR 59880  
IPL-1060 Rev. 1



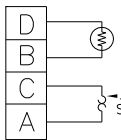
40-90 REF.  
DETAIL A



LINERS & SHIMS



30 REF.  
DETAIL B

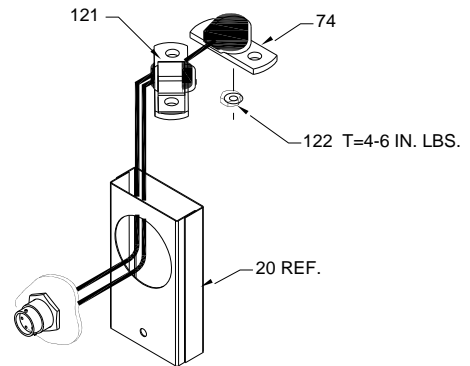


RTD THERMAL SENSOR  
100.Ω @ 0°C (SEE TABLE)  
  
NORMALLY OPEN ON RISE  
CLOSES 160° ± 5°F  
RE-OPENS 145° ± 5°F

MS3114-P8-4P

SCHEMATIC

TEMPERATURE VS. RESISTANCE IN A/W STANDARD ±3% ON % IOL. ALPHA ±.00385		
TEMPERATURE °C	RESISTANCE (OHMS)	
	°F	
-40	-40	84.27
-30	-22	86.22
-20	-4	92.16
-10	14	96.09
0	32	100.00
10	50	103.90
20	68	107.79
25	77	109.73
30	86	111.67
40	104	115.54
50	122	119.40
60	140	123.24
70	158	127.07



120 REF.  
DETAIL C

**MarathonNorco Aerospace**

PO Box 8233, Waco, Texas 76714-8233  
8301 Imperial Dr., Waco, Texas 76712  
Phone (254) 776-0650 / Fax (254) 776-6558

DCR 59880  
IPL-1060 Rev. 1

## ILLUSTRATED PARTS LIST

Figure item	Part Number	Nomenclature	Units Per Assy
1	32472-001	BATTERY, TSP-1708L 20-17SP100	1
10	40507-002	CAN, MARKED	1
11	16065-012	DUST CAP <b>(RBF)</b>	2
20	31382-001	ASSEMBLY, SPACER	1
30	30090-01C	CELL ASSEMBLY, 17SP100L	20
31	25529-004	FILLER CAP & VENT ASSEMBLY	20
40		LINERS	
41	32321-001	LINER, BOTTOM	1
42	32322-001	LINER, LEFT SIDE	1
43	32323-001	LINER, RIGHT SIDE	1
50		SHIMS	
51	9988-278	SHIM	4
60		BARRIERS	
70		CONNECTORS	
71	16102-162	CONNECTOR	16
72	16102-210	CONNECTOR	1
73	16167-012	CONNECTOR	3
74	28847-056	CONNECTOR	1
80		WASHERS	
81	16128-028	WASHER, BELLEVILLE	42
90		INTERCONNECTOR FASTENERS	
91	10488-020	SCREW, SOC. HD CAP	42
100	40481-001	COVER, MARKED	1
110	24583-001	RING, RECTANGULAR	1
111	28272-001	GASKET, FLAT	1
112	16163-031	ASSEMBLY RECEPTACLE	1
113	23084-001	SCREW, FL.HD. SEMS 8-32	4
114	25908-001	SPRING, SHORT-OUT <b>(RBF)</b>	1
115	26916-001	COVER, INSULATOR <b>(RBF)</b>	1
120	32470-002	ASSEMBLY, HARNESS TSP-408L	1
121	29553-001	CLAMP, HOLDDOWN	1
122	15013-009	NUT, ESNA 6-32	1

**RBF - REMOVE BEFORE FLIGHT**

**MarathonNorco Aerospace**

PO Box 8233, Waco, Texas 76714-8233  
8301 Imperial Dr., Waco, Texas 76712  
Phone (254) 776-0650 / Fax (254) 776-6558

DCR 59880  
IPL-1060 Rev. 1