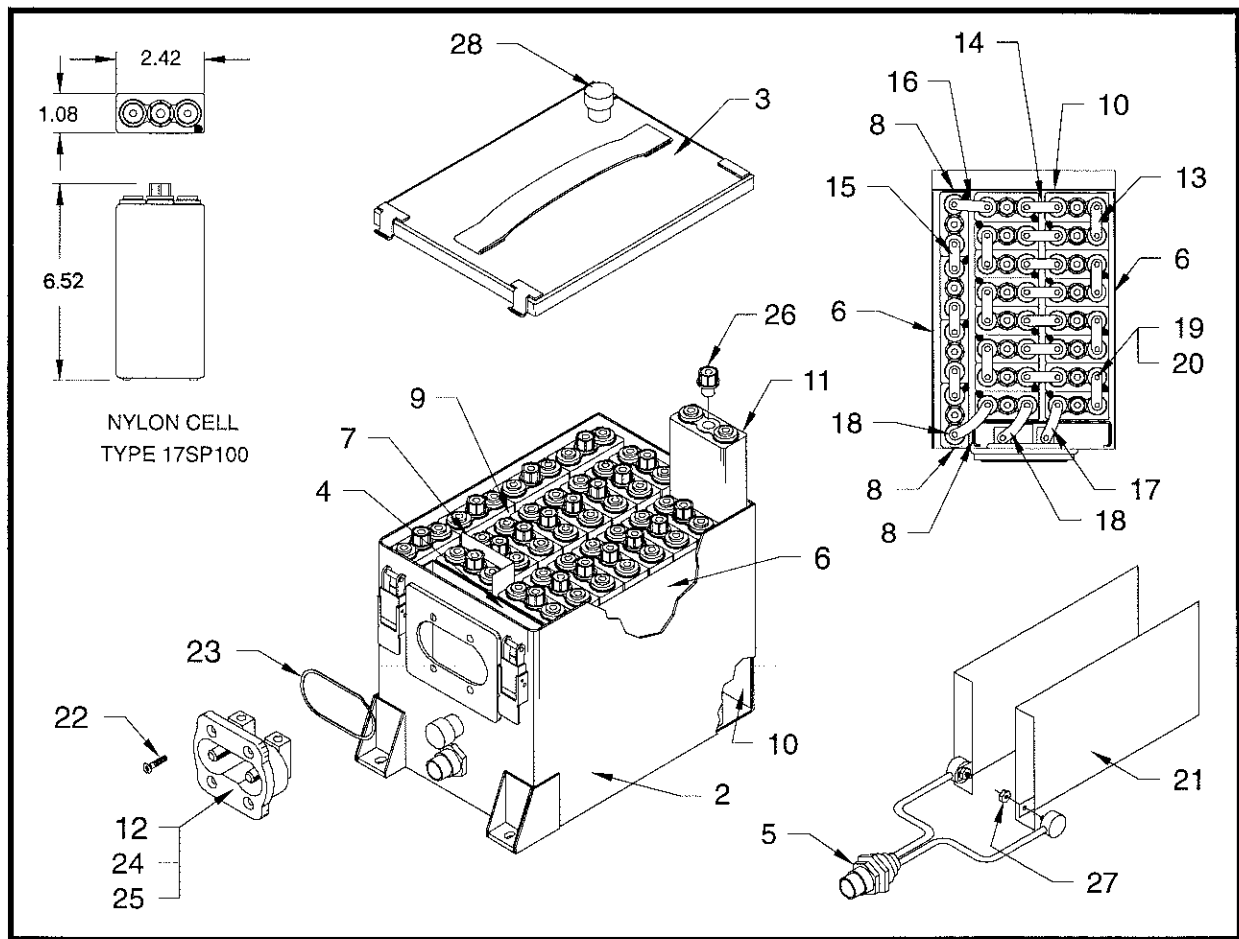


Marathon Power Technologies Company

Nickel-Cadmium Aircraft Batteries

Model SP-170A Replacement Parts



ITEM	DESCRIPTION	PART NUMBER	QTY	ITEM	DESCRIPTION	PART NUMBER	QTY
1	BATTERY - SP-170A	30554-01C	1	15	CONNECTOR	16102-164	3
2	CAN, MARKED	40155-001	1	16	CONNECTOR	16102-165	1
3	COVER, MARKED	40154-001	1	17	CONNECTOR	16102-166	1
4	SPACER	30522-002	1	18	CONNECTOR	30452-001	2
5	ASSEMBLY, HARNESS	29432-003	1	19	SCREW, SOC.HD.	10488-020	42
6	SHIM	9988-165	2	20	WASHER, BELLEVILLE	16128-028	42
7	BARRIER	9988-120	1	21	PLATE, THERMOSTAT	30523-001	2
8	SHIM	9988-112	9	22	SCREW, FLAT HD.	23084-001	4
9	BARRIER	9988-108	1	23	RING, RECTANGULAR	24583-001	1
10	SHIM	9988-181	6	24	COVER, DUST	26916-002	1
11	CELL ASSEMBLY - 17SP100	30090-01C	20	25	SPRING, SHORTOUT	25908-001	1
12	ASSEMBLY, RECEPTACLE	27904-004	1	26	FILLER CAP	25429-004	20
13	CONNECTOR	16102-162	7	27	NUT, ESNA 6-32	15013-012	2
14	CONNECTOR	16102-163	7	28	DUST CAP	15766-007	3



Marathon Power Technologies Company

Battery Products

P.O. Box 8233, Waco, Texas 76714

8301 Imperial Drive, Waco, Texas 76712

TEL (817) 776-0650 FAX (817) 776-6558

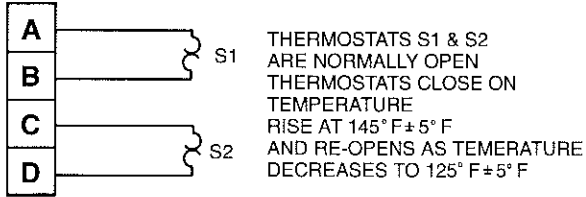
HI012996

Marathon Power Technologies Company



Application: BELL 206L, 206-3

SCHEMATIC



MS3114 P10-6P
(OR MS314E10-6P)

ELECTRICAL CHARACTERISTICS

Nominal Voltage 24.0 Volts

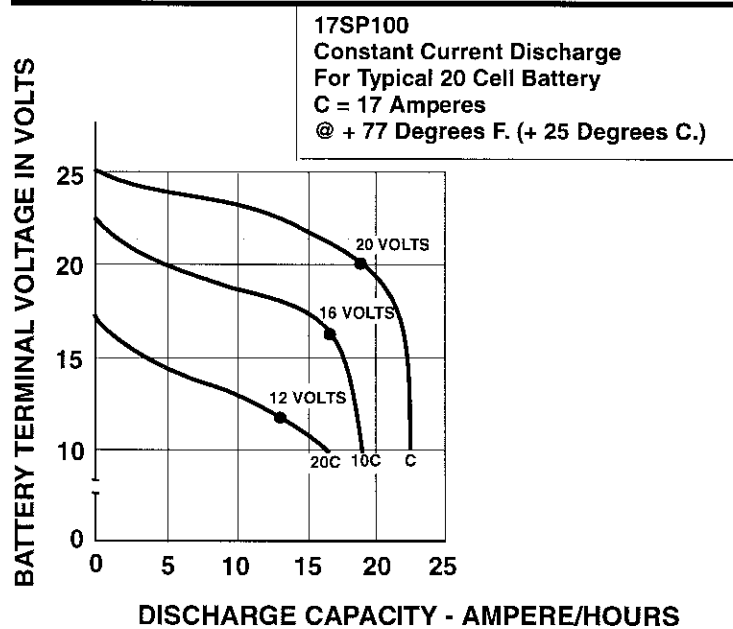
Nominal Capacity 17AH (1 hr. Rate)

POWER CURVE DATA

TEMP (°C)	Imp * AMPS	INRUSH AMPS
25	800	1000
-18	500	700
-32	410	575

*CONSTANT 12.0 VOLT DC DISCHARGE @ 15 SECS.

DISCHARGE CURVE



TYPICAL BATTERY DIMENSIONS

