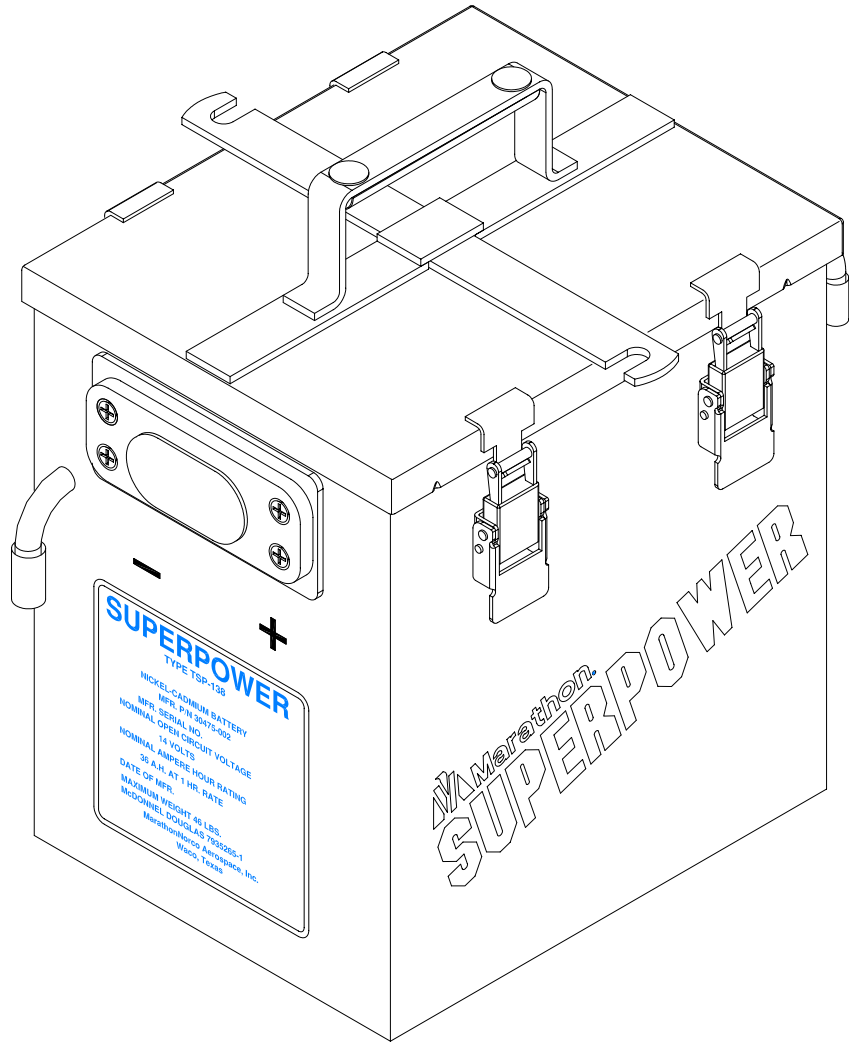
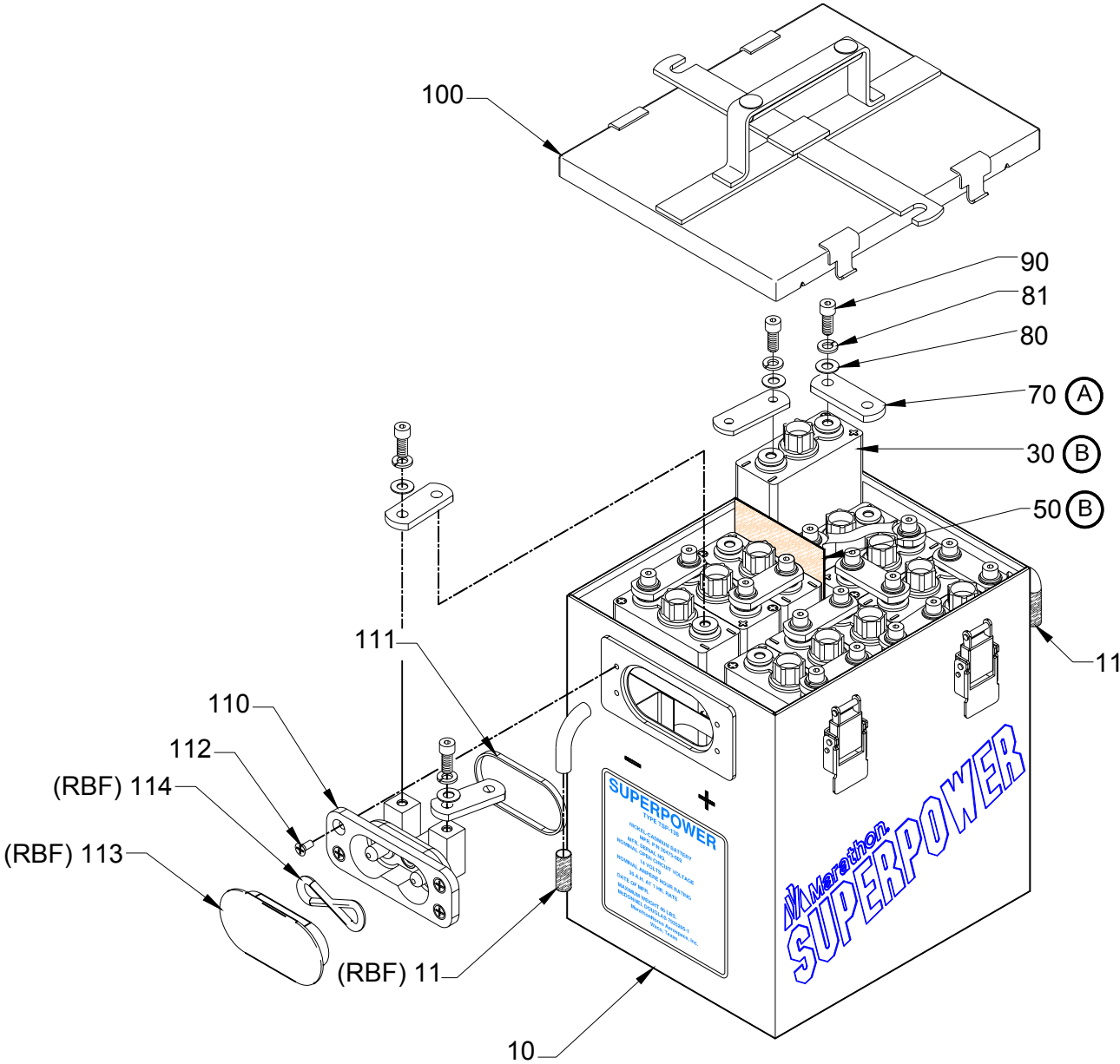


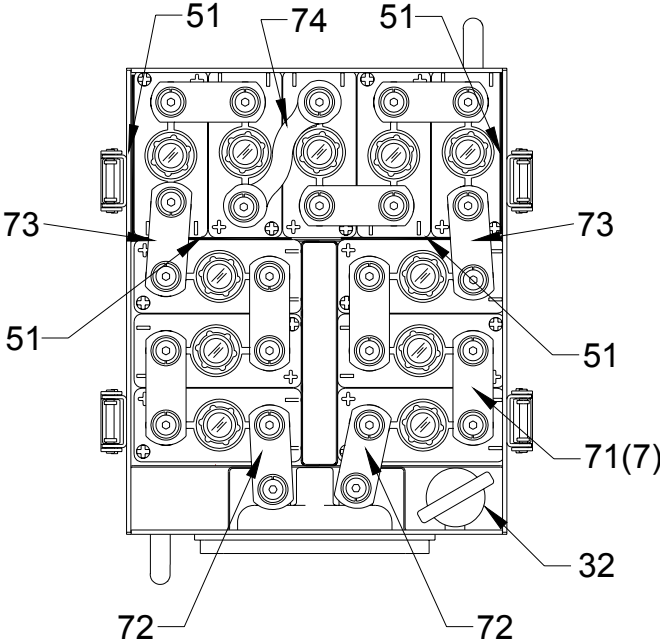
REV	DESCRIPTION	DATE	APPROVED



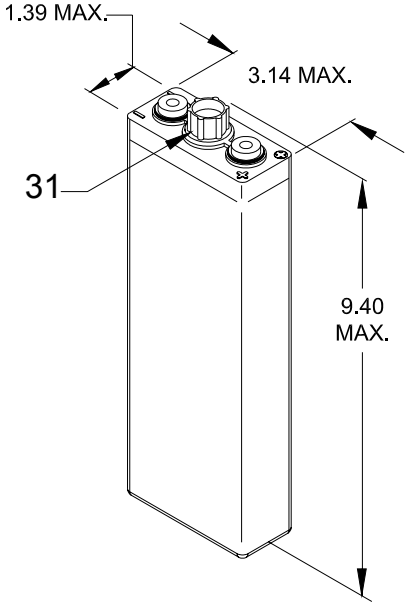
MarathonNorco Aerospace, Inc.		WACO, TEXAS	
APPROVALS	DATE	Illustrated Parts List	
ORIGINATOR A. HITTLE	5-6-04	11-38SP100 SP-138	
CHECKED <i>GHL</i>	5-11-04	SIZE	FSCM
APPROVED <i>GHL</i>	5-11-04	A	74025
		DWG NO	IPL-1036
		PMA - YES	REV
		SHEET 1 OF 4	



(RBF) REMOVE BEFORE FLIGHT



50-70 REF.
DETAIL A



30 REF.
DETAIL B

ILLUSTRATED PARTS LIST

Figure item	Part Number	Nomenclature	Units Per Assy
1	30475-002	ASSY, BATTERY TSP-138 11-38SP100 (NI-CD) (30476-002)	1
10	40132-001	CAN ASSY, MARKED	1
11	15766-002	DUST CAP (RBF)	2
30	30181-02C	CELL ASSEMBLY, 38SP100 (30180-04C)	11
31	29078-001	FILLER CAP, OPTICAL	11
32	16979-001	VENT WRENCH	1
-40		LINERS	
-50		SHIMS	
51	9988-174	SHIM, 3.0 x 7.5 x .032	4
-60		BARRIERS	
-70		CONNECTORS	
71	16102-135	CONNECTOR	7
72	16102-136	CONNECTOR	2
73	16102-142	CONNECTOR	2
74	16167-006	CONNECTOR	1
80	18100-022	WASHER, CRES. .265 x .563 x .032	24
81	6560-017	WASHER, LOCK 1/4 SS	24
90	10488-011	SCREW, SOCKET HD. CAP 1/4-28 x 5/8	24
100	30478-002	COVER ASSEMBLY, LINED	1
110	16163-026	ASSEMBLY RECEPTACLE	1
111	24583-001	RING, RECTANGULAR	1
112	23084-001	SCREW, FL.HD. SEMS 8-32 x 3/8	4
113	26916-004	COVER, INSULATOR (RBF)	1
114	25908-001	SPRING, SHORTOUT (RBF)	1

RBF - REMOVE BEFORE FLIGHT