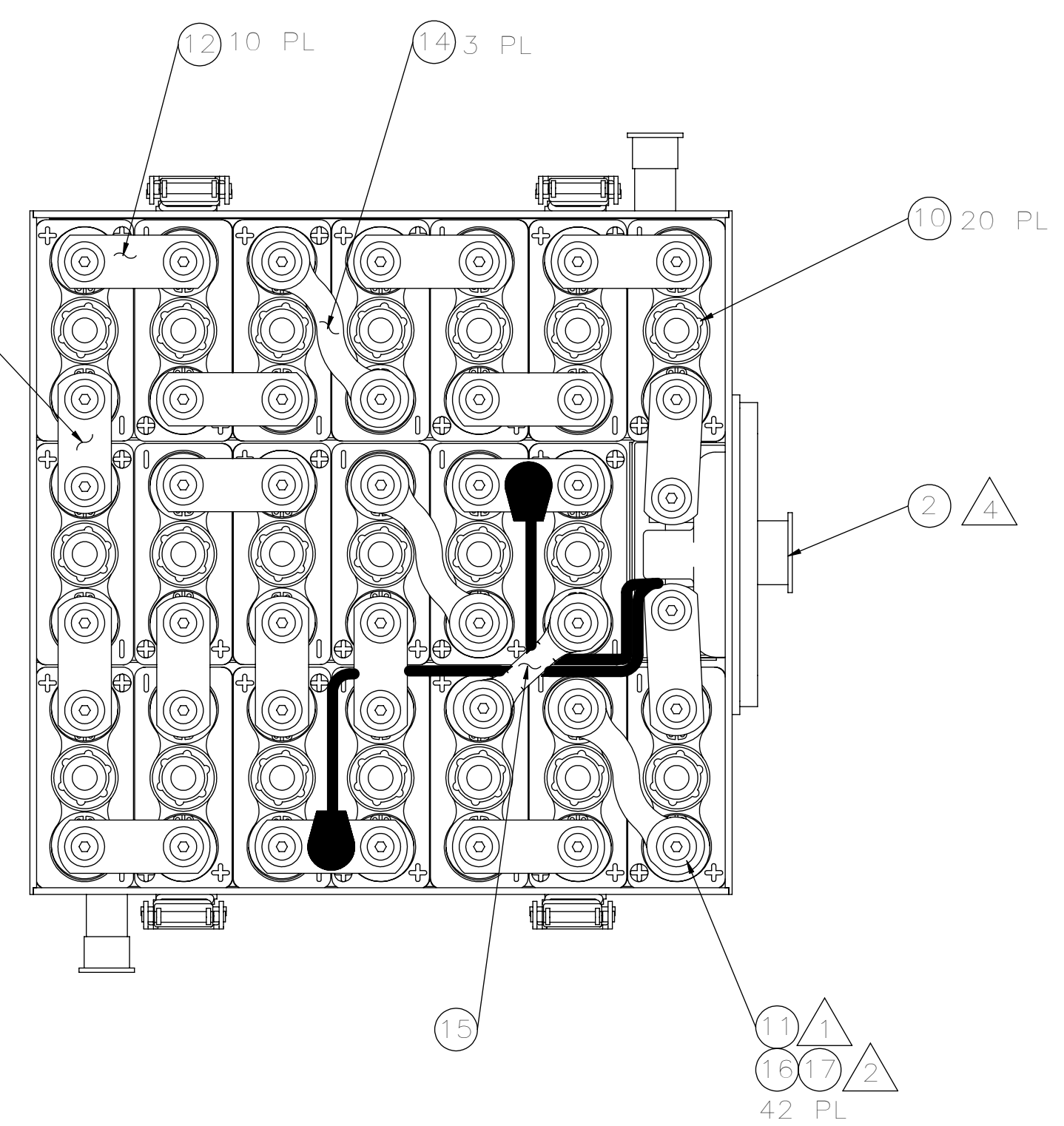
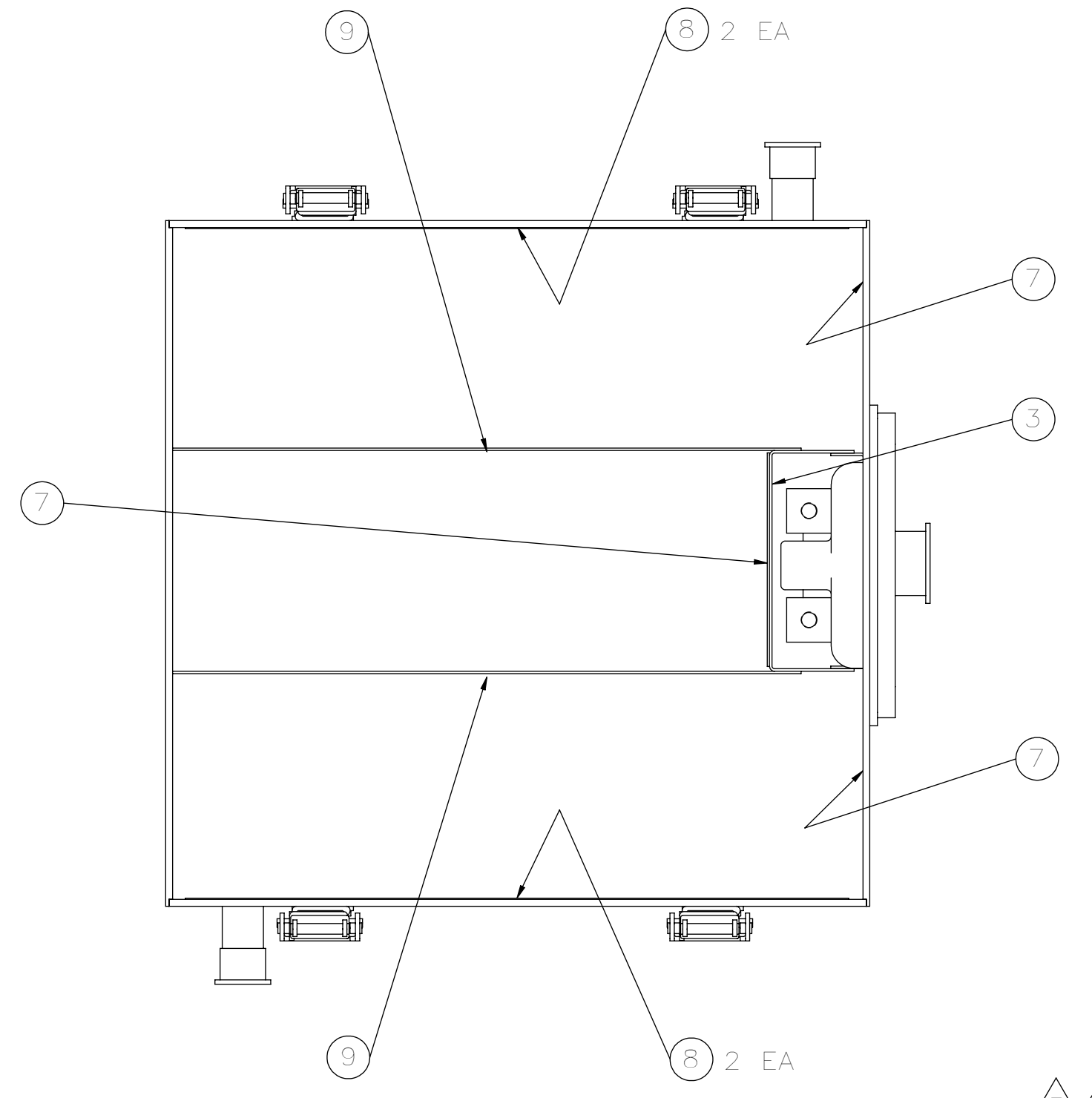


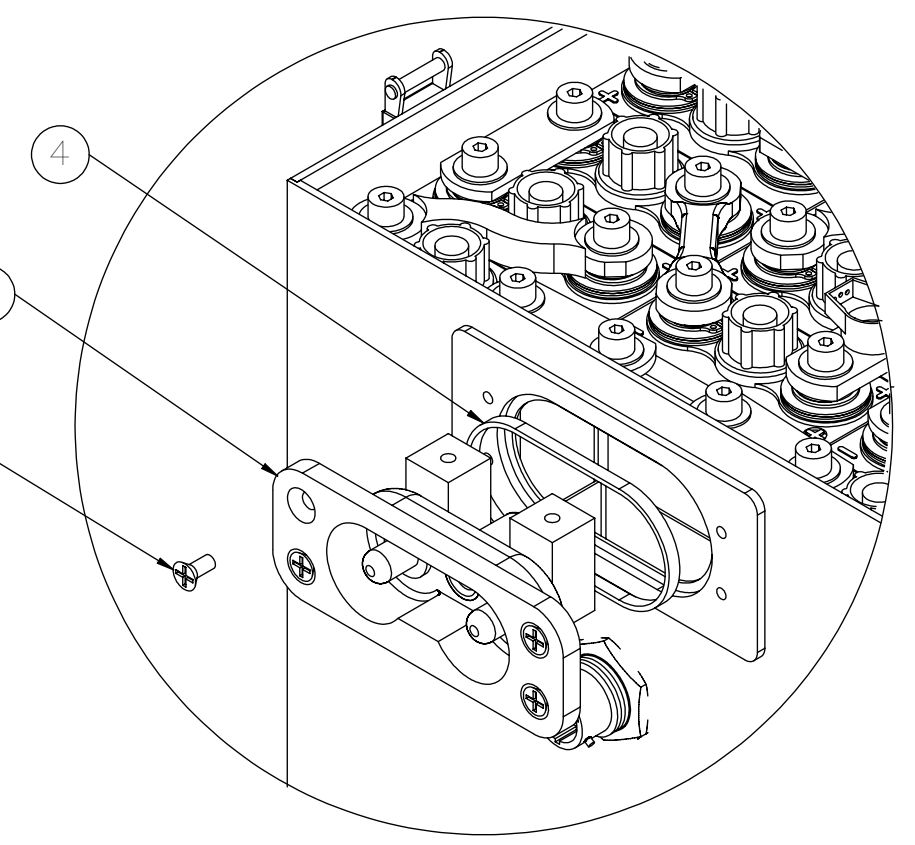
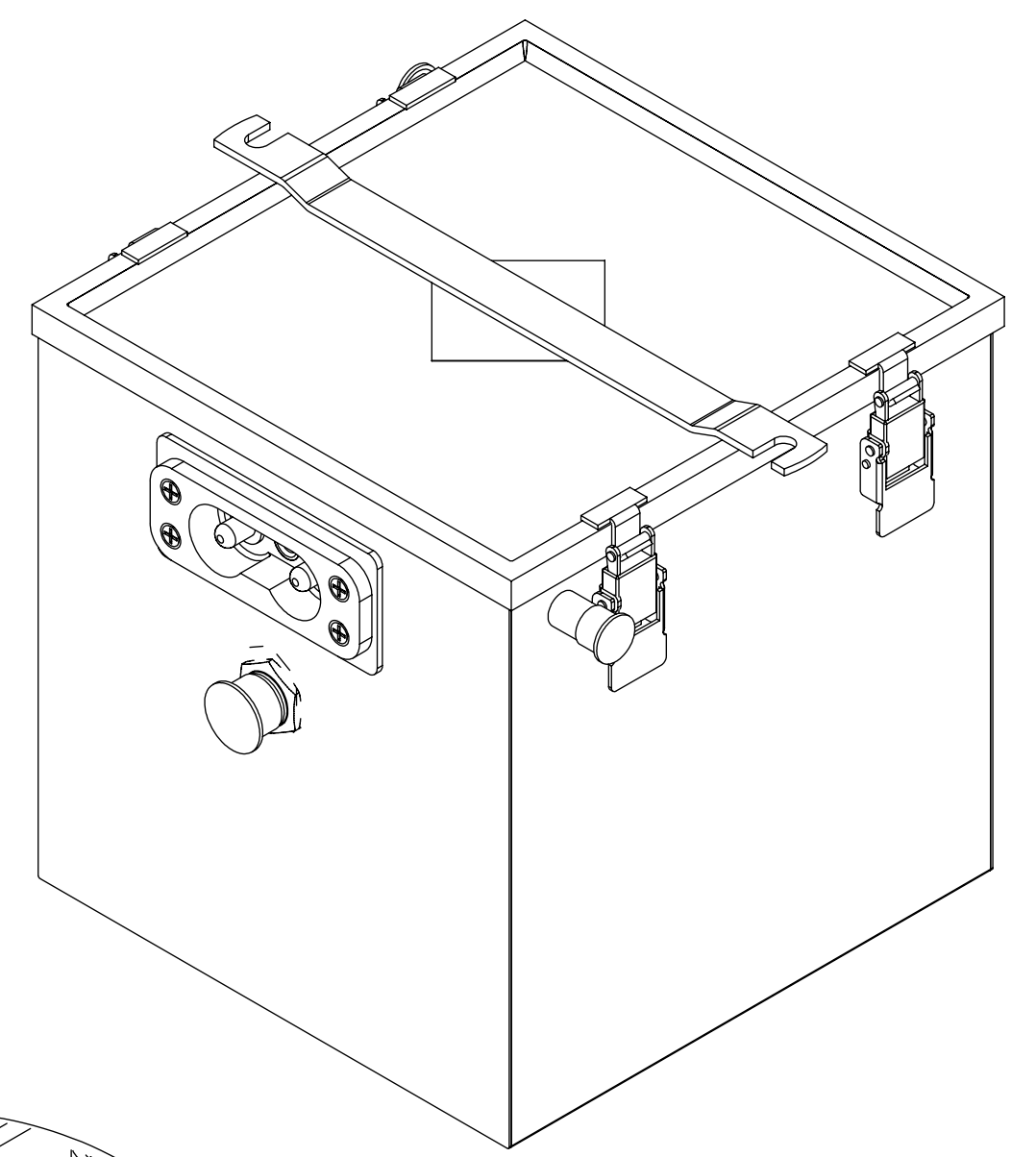
PROPRIETARY AND CONFIDENTIAL
 This document, in whole or part, including any derived, computed or extracted information from the document is proprietary, confidential and is wholly owned by MarathonNorco Aerospace, Inc. (MNAI) or Baker. The recipient (Baker), by possession of the document, solely accepts and acknowledges MNAI's sole rights to the ownership and the proprietary and confidential nature of the document. The document and its contents will be protected and/or used by the recipient in such a fashion as to warrant and guarantee that MNAI's ownership rights, and the proprietary and confidential nature of the document are not compromised, circumvented, infringed upon or diminished in any capacity whatsoever by the actions, inactions, use, or handling of the document and its contents by the recipient. The recipient will never design, copy, manufacture, cause to design, cause to copy or cause to manufacture any product or concept based on this document, and its contents, in whole or in part. If the recipient of this MNAI document does not accept these terms and conditions regarding the MNAI ownership, the use of, the handling of and the proprietary and confidential of this document, then the document, any copy(s) and any and all derived information data obtained from the document or copy(s) is to be returned to MNAI immediately. This document, copy(s) and any and all derived information data will be returned by recipient at any time upon the verbal or written request by MNAI. MNAI reserves its full legal rights to preserve and protect its proprietary, confidential and ownership rights of this document, and the recipient will not object nor prevent MNAI from exercising its full legal rights. The recipient hereby agrees to indemnify and hold harmless MNAI from and against all direct and sustained damages, losses, claims, liabilities, cost and expenses which MNAI may incur or sustain as a result of the recipient breaching the MNAI ownership, confidentiality or proprietary status of the document or using the document contrary to the specific identified and restricted intentions.



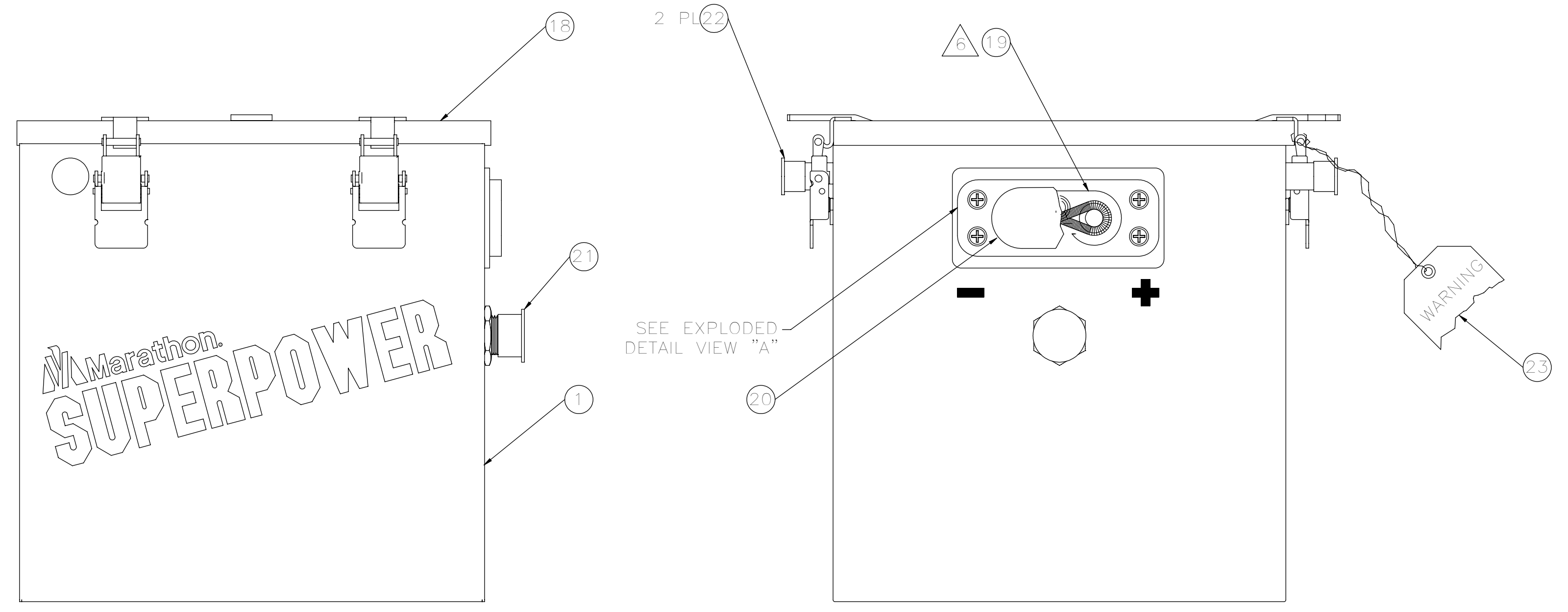
TOP VIEW
 WITH COVER REMOVED FOR CLARITY
 SEE LINER & SHIM LAYOUT
 FOR DETAILED VIEW



LINER & SHIM LAYOUT
 WITH COVER & CELLS REMOVED FOR CLARITY



EXPLODED DETAIL VIEW "A"



SEE EXPLODED
 DETAIL VIEW "A"

ITEM NO.	QTY	DESCRIPTION	END USE	PART NO.	NOTE
23	1	TAG, WARNING	A	25943-001	
22	2	CAP, DUST	C	16065-012	
21	1	CAP, DUST	C	16065-001	
20	1	COVER, DUST	B	26916-004	
19	1	SPRING, SHORT-OUT	A	25908-001	6
18	1	COVER, MARKED	C	40062-001	
17	42	SCREW, SCT. HD. CAP 1/4-28 X .625	C	10488-011	2
16	42	WASHER, BELLEVILLE	C	16128-034	
15	1	CONNECTOR	C	16167-007	
14	3	CONNECTOR	C	16167-006	
13	5	CONNECTOR	D	16102-187	
12	10	CONNECTOR	D	16102-131	
11	A/R	INHIBITOR, RUST	DMS	20441-001	1
10	20	ASSEMBLY, CELL 40SP100	C	30114-01C	
9	2	SHIM	B	9988-149	
8	4	SHIM	B	9988-047	
7	3	SHIM	B	9988-174	
6	4	SCREW, SEMS, FLT. HD.	B	23084-001	3
5	1	ASSEMBLY, RECEPTACLE	D	16163-023	
4	1	RING, RECTANGULAR	B	24583-001	
3	1	ASSEMBLY, SPACER	C	27291-004	
2	1	ASSEMBLY, TEMPERATURE HARNESS	C	31581-002	4
1	1	CAN, MARKED	C	40389-002	

- NOTES:**
1. APPLY RUST INHIBITOR, ITEM 11, TO CELL TERMINAL HARDWARE PER PS-60541.
 2. TORQUE ITEM 17: 100-125 IN. LBS.
 3. TORQUE ITEM 6: 15-20 IN. LBS.
 4. TORQUE ITEM 2 JAM NUT 63-69 IN. LBS.
 - 5.
 6. BATTERY TO SHIPPED IN A DISCHARGED AND SHORTED CONDITION.

UNLESS OTHERWISE SPECIFIED: DIMENSIONS ARE IN INCHES TOLERANCES: DECIMALS: .X ± .100 .XX ± .030 .XXX ± .010		CONTRACT NO.	MarathonNorco Aerospace, Inc. P.O. Box 8233 Waco, Texas 76712	
MACHINE FINISH 125/ AXIS CONCENTRIC TO .006 FIM SLOTS AND HOLES TO BE WITHIN .005 OF TRUE POSITION WHEN LOCATED ON COMMON CENTER LINE BREAK EDGES .005 - .010		DIMENSIONS AND TOLERANCES IN ACCORDANCE WITH ASME Y14.5M-2009		
DO NOT SCALE DRAWING		DRAWN BY: A. HITTE 7/10/00	CHECKED BY:	SIZE D
		APPROVED BY: RCU 8/30/00	CAGE CODE 74025	DWG. NO. IPL-1067
			SCALE: 1:2	RELEASE DATE:
				SHEET 1 OF 1