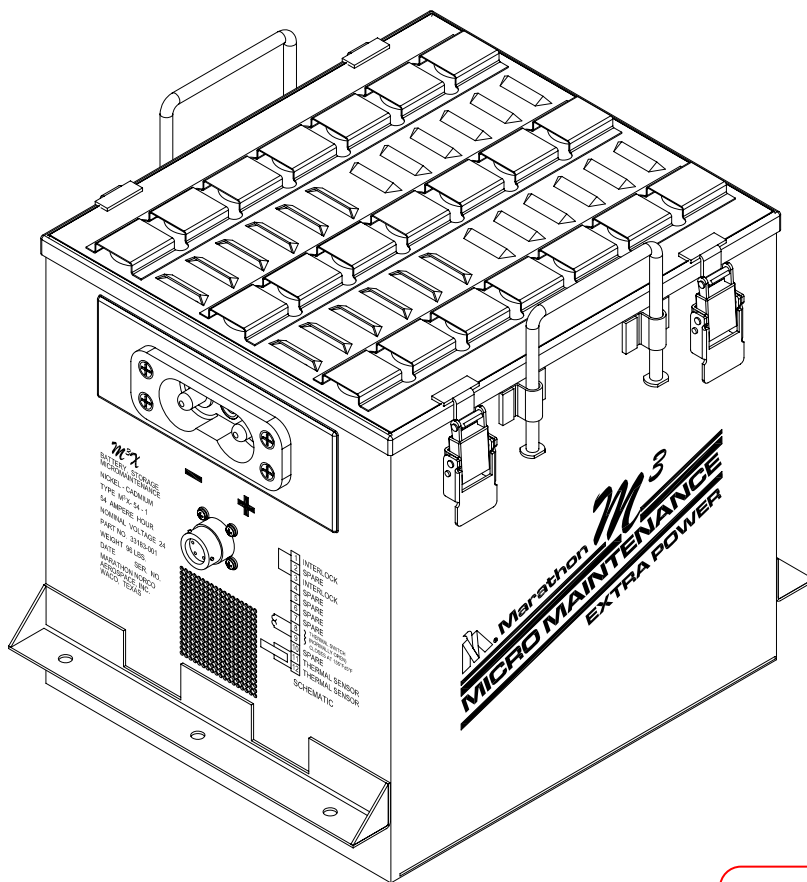




Nickel-Cadmium Aircraft Batteries

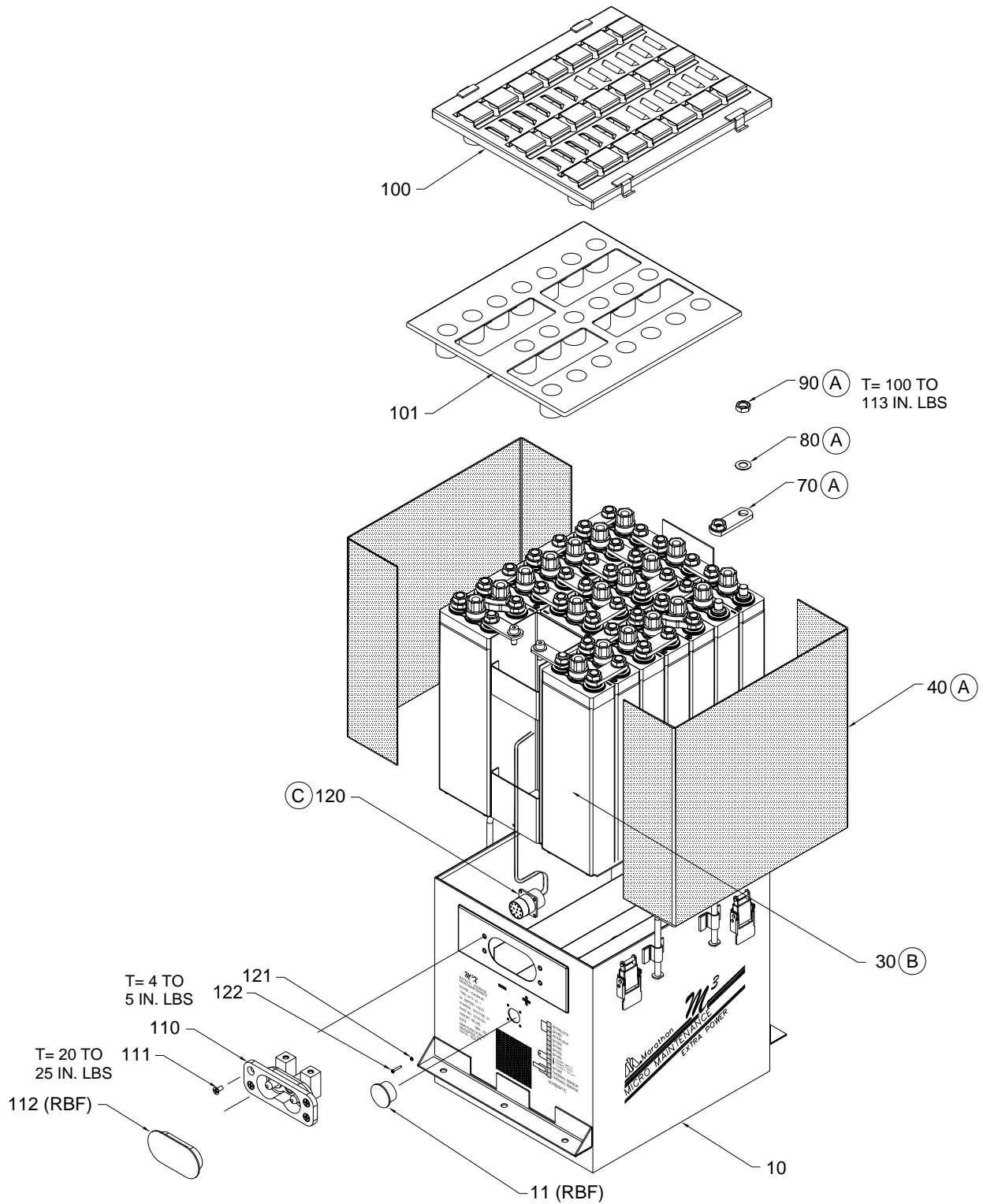
Model M³X-54-1 Battery Replacement Parts



MNAI RELEASED
NON-CONTROLLED
12/12/08

MarathonNorco Aerospace

PO Box 8233, Waco, Texas 76714-8233
8301 Imperial Dr., Waco, Texas 76712
Phone (254) 776-0650 / Fax (254) 776-6558



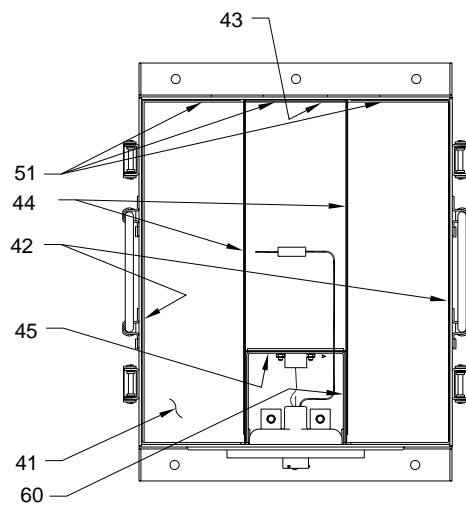
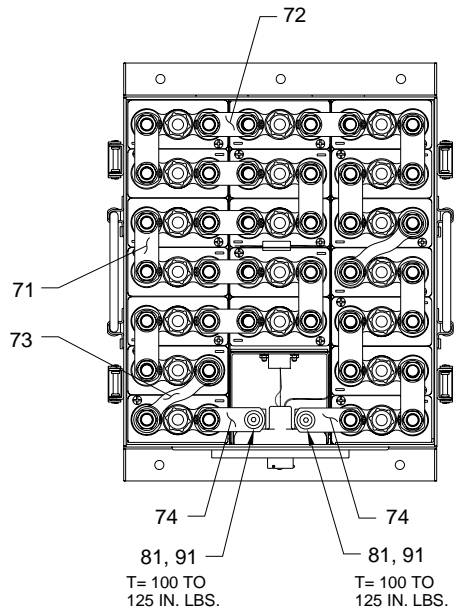
T=TORQUE (IN. LBS.)
EXPLODED VIEW

MarathonNorce Aerospace

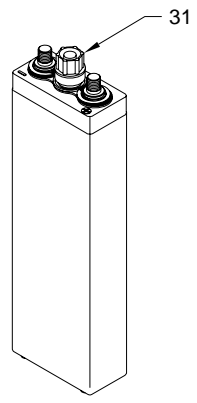
PO Box 8233, Waco, Texas 76714-8233
8301 Imperial Dr., Waco, Texas 76712
Phone (254) 776-0650 / Fax (254) 776-6558

Page 2

IPL-1045



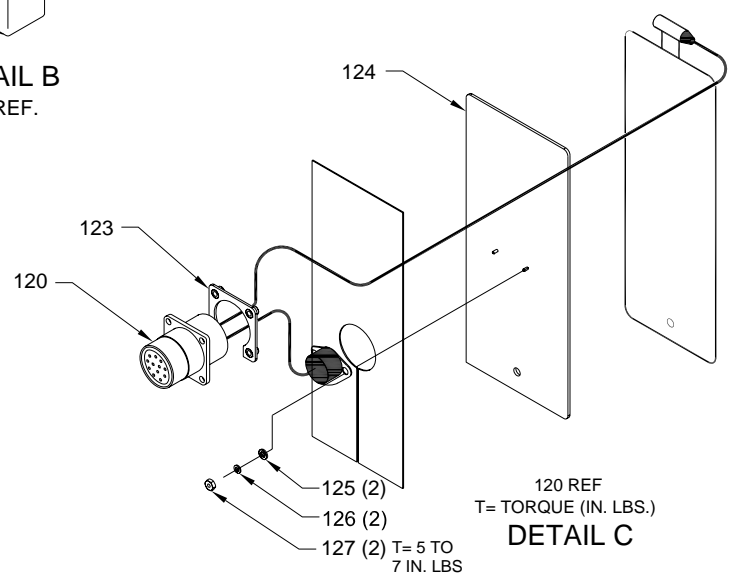
40-90 REF.
T= TORQUE (IN. LBS.)
DETAIL A



DETAIL B
30 REF.

- | | |
|----|---|
| 1 | INTERLOCK |
| 2 | SPARE |
| 3 | INTERLOCK |
| 4 | SPARE |
| 5 | SPARE |
| 6 | SPARE |
| 7 | SPARE |
| 8 | THERMAL SWITCH (NORMALLY OPEN)
CLOSES AT 155°F±5°F |
| 9 | |
| 10 | SPARE |
| 11 | BATTERY THERMAL SENSOR |
| 12 | BATTERY THERMAL SENSOR |

SCHEMATIC



120 REF
T= TORQUE (IN. LBS.)
DETAIL C

ILLUSTRATED PARTS LIST

Figure item	Part Number	Nomenclature	Units Per Assy
1	33183-001	BATTERY, M ³ X-54-1 19-54M ³ X120 (33184-001)	1
-10	40613-001	CAN ASSY, MARKED	1
11	16065-001	DUST CAP (RBF)	1
-30	33185-001	CELL ASSEMBLY, 54M ³ X120 (33186-001)	19
31	30927-001	FILLER CAP ASSEMBLY & VENT	19
-40		LINERS	
41	32695-001	LINER, BOTTOM	1
42	32695-003	LINER, SIDE	2
43	32695-002	LINER, END CENTER	1
44	32695-005	LINER, CENTER SIDE	2
45	32695-004	LINER, CENTER FRONT	1
-50		SHIMS	
51	9988-320	SHIM, END 3 1/8 x 9 1/8 x .031	3
-60	32910-001	ASSEMBLY, SPACER	1
-70		CONNECTORS	
71	32777-005	CONNECTOR	10
72	32777-006	CONNECTOR	6
73	32782-003	CONNECTOR	2
74	33028-001	CONNECTOR, S	2
-80		WASHERS	
81	16128-034	WASHER, BELLEVILLE	2
82	16128-042	WASHER, BELLEVILLE	38
-90		INTERCONNECTING FASTNERS	
91	10488-011	SCREW, SOCKET HD. CAP 1/4-28 x 9/16	2
92	15111-094	HEX NUT JAM 3/8-16 CRES	38
-100	32646-002	ASSEMBLY, COVER	1
101	32462-001	PAD, COVER	1
-110	16163-026	ASSEMBLY RECEPTACLE	1
111	23084-001	SCREW, FL.HD. SEMS 8-32 x 3/8	4
112	26916-008	COVER, INSULATOR M ³ X (RBF)	1
-120	32704-001	TEMP. PROBE	1
121	18100-083	WASHER FLAT	4
122	15940-017	SCREW FILLISTER HD 4-40	4
123	32135-001	SS NUT RING	1
124	32706-002	PLATE THERMOSTAT	1
125	18100-018	FLAT WASHER #6	2
126	6560-002	WASHER LOCK #6	2
127	15111-035	NUT HEX 6-32	2

RBF - REMOVE BEFORE FLIGHT

MarathonNorce Aerospace

PO Box 8233, Waco, Texas 76714-8233
8301 Imperial Dr., Waco, Texas 76712
Phone (254) 776-0650 / Fax (254) 776-6558

IPL-1045