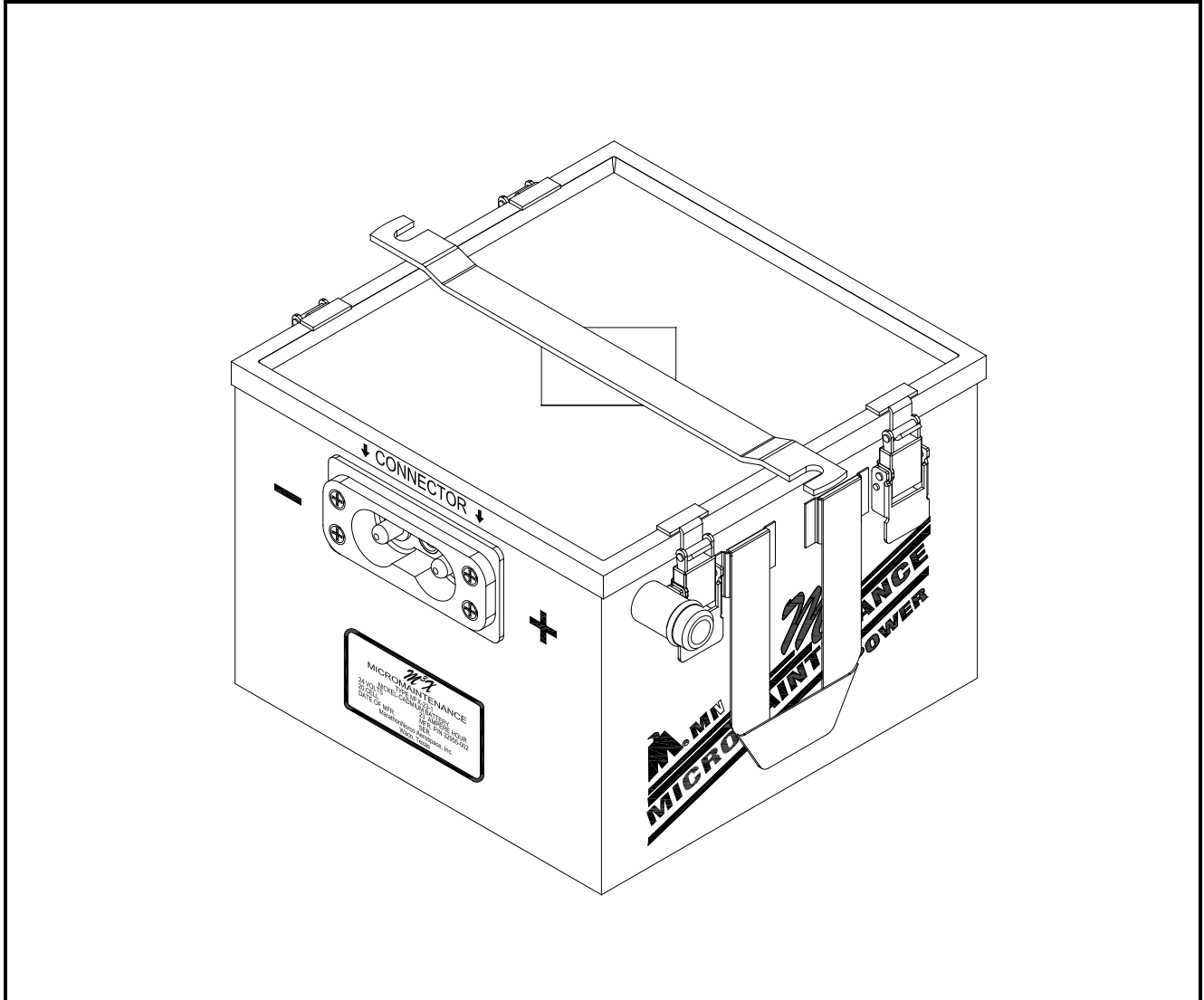




Nickel-Cadmium Aircraft Batteries

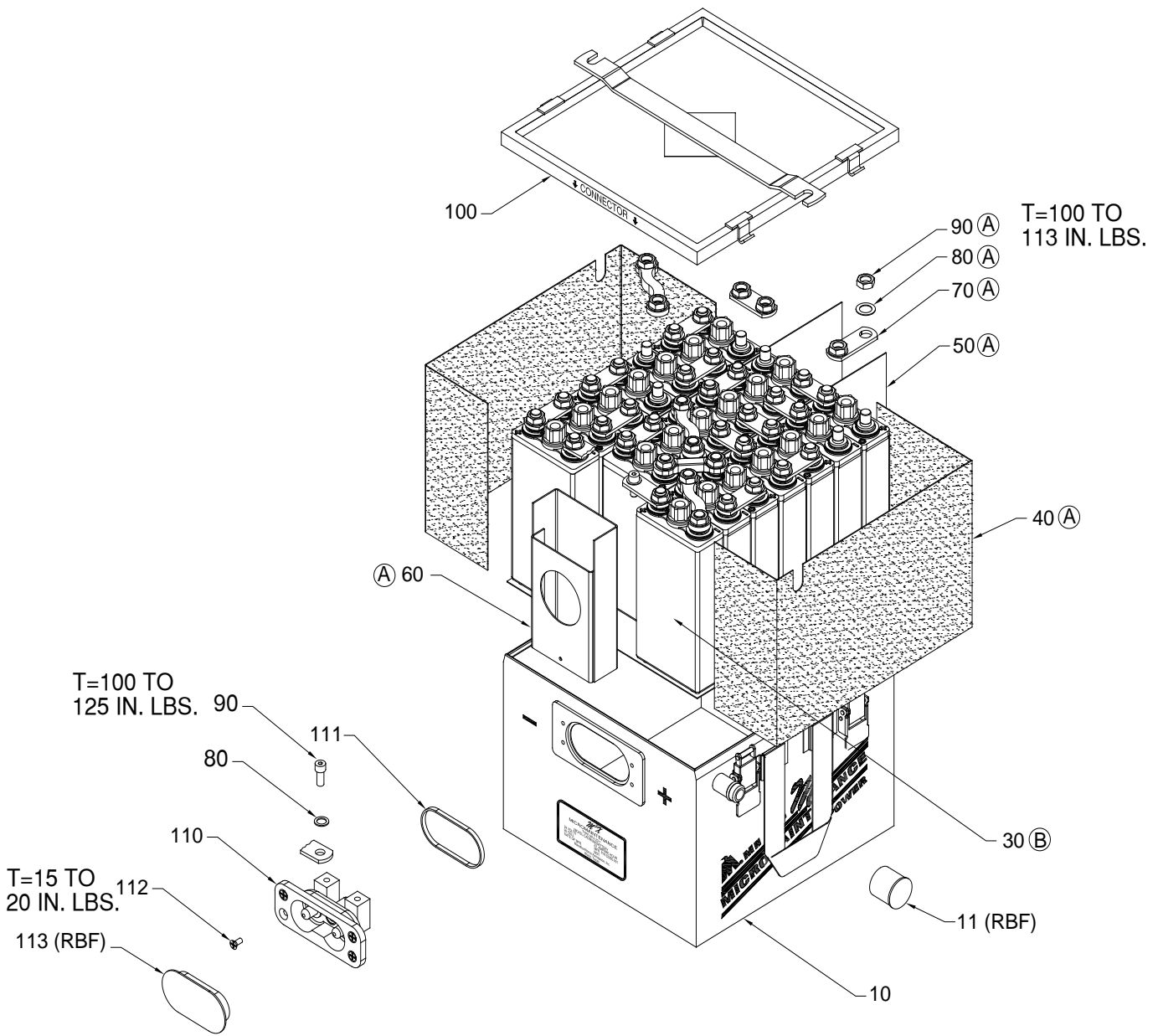
Model M³X-23-1 (P/N 32955-002) Battery Replacement Parts



MarathonNorco Aerospace

PO Box 8233, Waco, Texas 76714-8233
8301 Imperial Dr., Waco, Texas 76712
Phone (254) 776-0650 / Fax (254) 776-6558

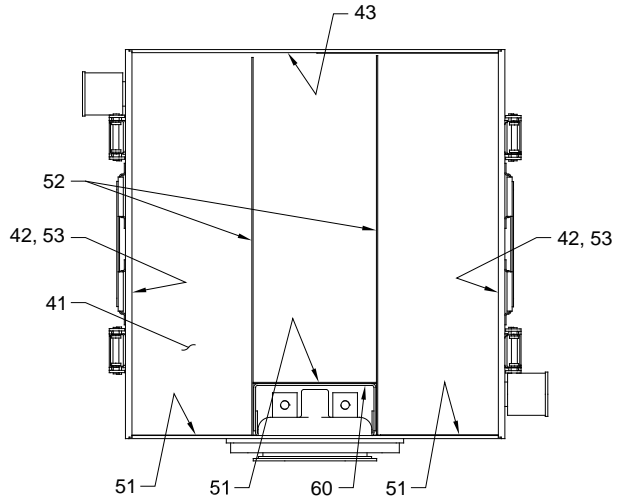
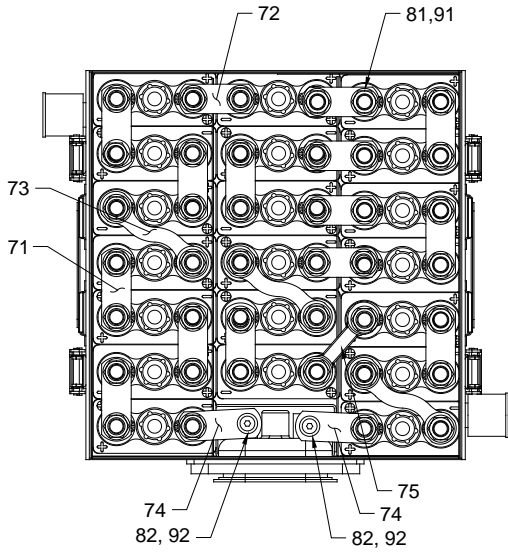
IPL-1033 REV. 1
DCR 59688



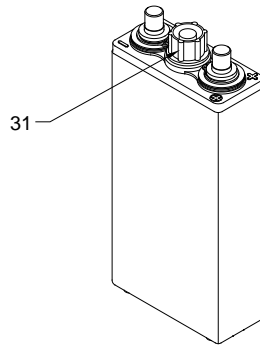
T=TORQUE (IN. LBS.)
EXPLODED VIEW

MarathonNorco Aerospace
 PO Box 8233, Waco, Texas 76714-8233
 8301 Imperial Dr., Waco, Texas 76712
 Phone (254) 776-0650 / Fax (254) 776-6558

IPL-1033 REV 1
 DCR 59688



40-90 REF.
T=TORQUE (IN. LBS.)
DETAIL A



30 REF.
DETAIL B

MarathonNorco Aerospace

PO Box 8233, Waco, Texas 76714-8233
8301 Imperial Dr., Waco, Texas 76712
Phone (254) 776-0650 / Fax (254) 776-6558

IPL-1033 REV 1
DCR 59688

ILLUSTRATED PARTS LIST

Figure item	Part Number	Nomenclature	Units Per Assy
-1	32955-002	ASSEMBLY, BATTERY M ³ X-23-1 20-23M ³ X100 NI-CD	1
-10	40576-001	CAN ASSY, MARKED	1
-11	16065-016	DUST CAP (RBF)	2
-30	32957-001	CELL ASSEMBLY, 23M ³ X100	20
31	16934-009	FILLER CAP ASSEMBLY & VENT	20
-40		LINERS	
41	32977-001	LINER, BOTTOM	1
42	32977-004	LINER, SIDE	2
43	32977-005	LINER, REAR	1
-50		SHIMS	
51	9988-276	SHIM	5
52	9988-247	SHIM	2
53	9988-246	SHIM	2
-60	32823-003	ASSEMBLY, SPACER	1
-70		CONNECTORS	
71	32777-004	CONNECTOR	10
72	32777-002	CONNECTOR	5
73	32780-001	CONNECTOR, S	3
74	32782-003	CONNECTOR	2
75	32780-004	CONNECTOR	1
-80		WASHERS	
81	16128-042	BELLEVILLE WASHER	40
82	16128-030	BELLEVILLE WASHER	2
-90		SCREWS & NUTS	
91	15111-094	NUT, HEX JAM	40
92	10488-011	SCREW, SOCKET HD. CAP	2
-100	33305-011	COVER, MARKED	1
-110	16163-023	ASSEMBLY RECEPTACLE	1
-111	24583-001	RING, RECTANGULAR	1
-112	23084-001	SCREW, FL.HD. SEMS	4
-113	26916-008	COVER, INSULATOR M ³ X (RBF)	1

RBF - REMOVE BEFORE FLIGHT

MarathonNorco Aerospace

PO Box 8233, Waco, Texas 76714-8233
8301 Imperial Dr., Waco, Texas 76712
Phone (254) 776-0650 / Fax (254) 776-6558

IPL-1033 REV 1
DCR 59688