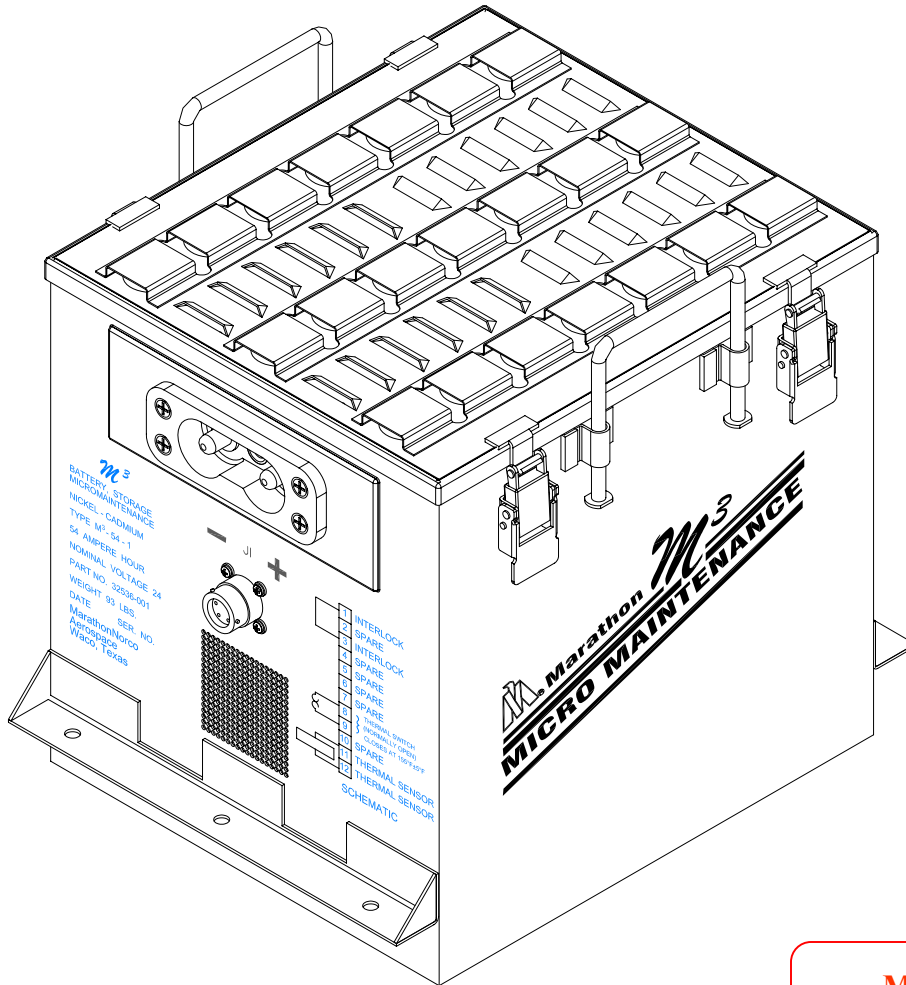




## Nickel-Cadmium Aircraft Batteries

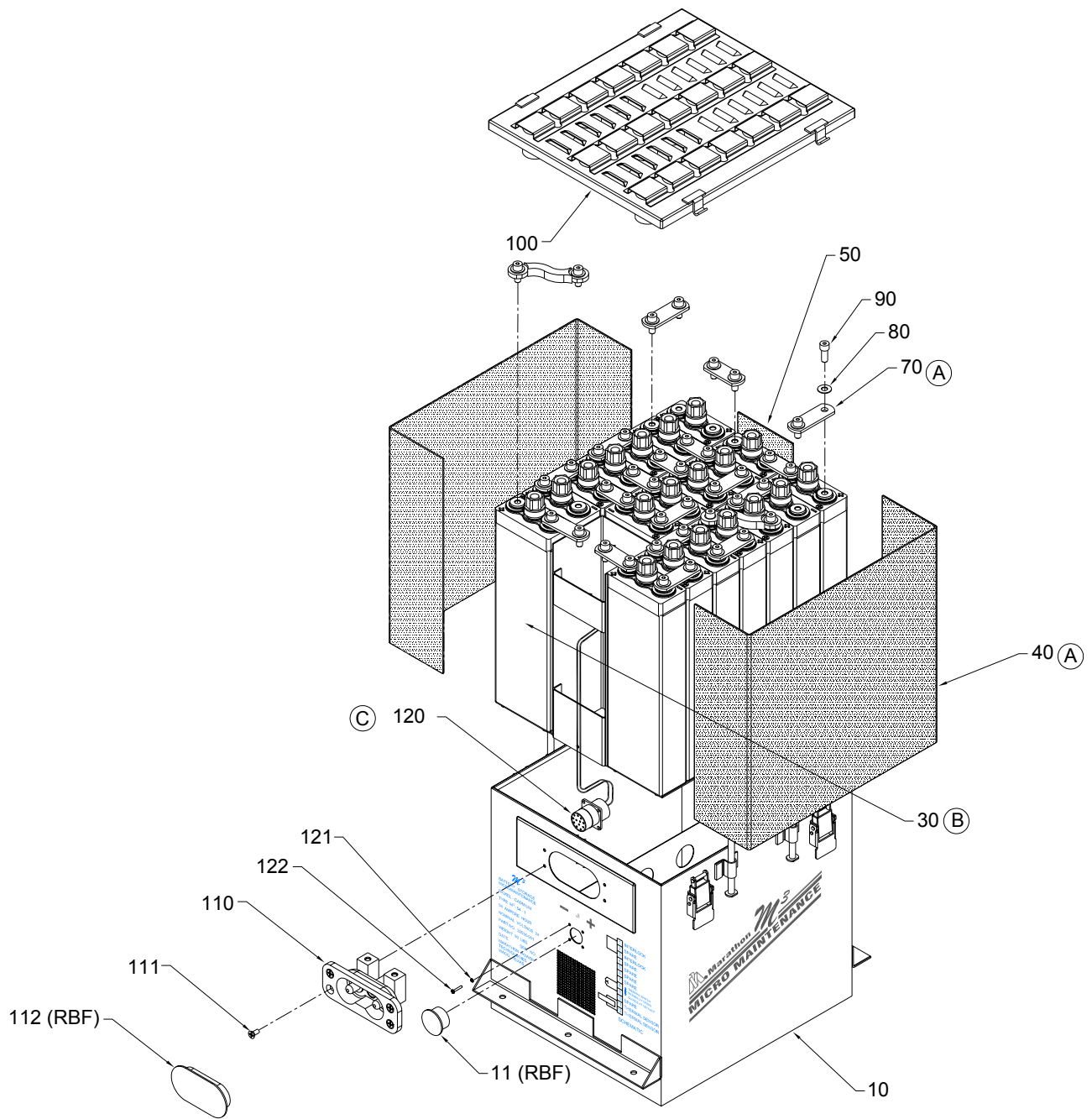
Model M<sup>3</sup>-54-1 Battery Replacement Parts



**MNAI  
Released  
Non-Controlled**

**MarathonNorco Aerospace**

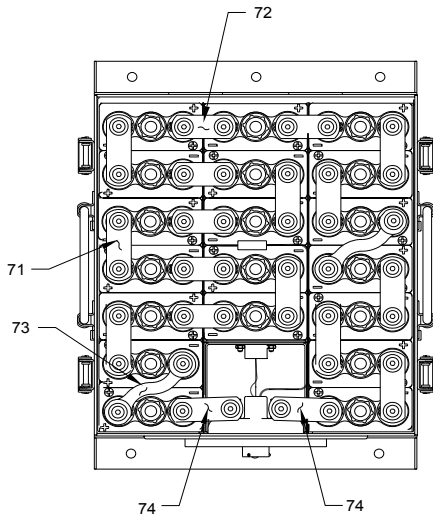
PO Box 8233, Waco, Texas 76714-8233  
8301 Imperial Dr., Waco, Texas 76712  
Phone (254) 776-0650 / Fax (254) 776-6558



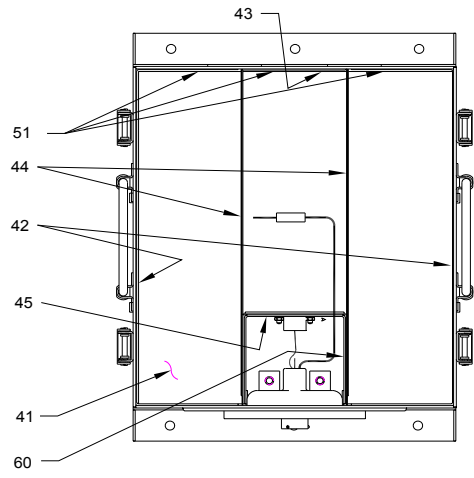
**MarathonNorco Aerospace**

PO Box 8233, Waco, Texas 76714-8233  
 8301 Imperial Dr., Waco, Texas 76712  
 Phone (254) 776-0650 / Fax (254) 776-6558

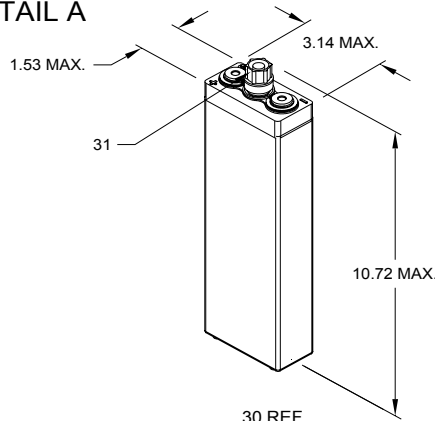
IPL-1028



40-70 REF.  
DETAIL A



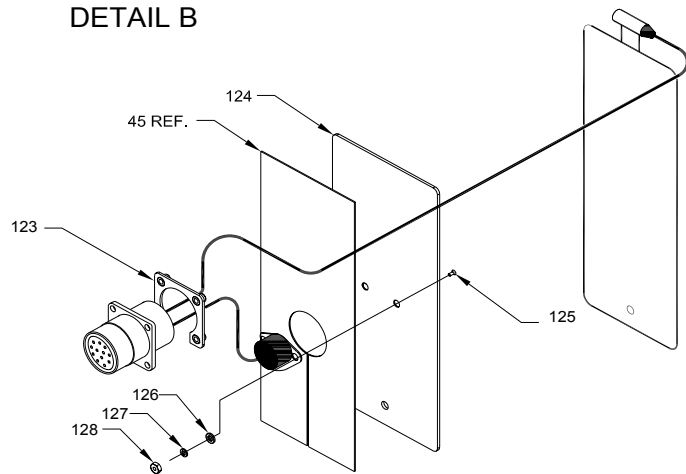
LINERS, SHIMS & SPACER



30 REF.  
DETAIL B

- 1 INTERLOCK
- 2 SPARE
- 3 INTERLOCK
- 4 SPARE
- 5 SPARE
- 6 SPARE
- 7 SPARE
- 8 } THERMAL SWITCH (NORMALLY OPEN)
- 9 } CLOSING AT 155°F±5°F
- 10 SPARE
- 11 BATTERY THERMAL SENSOR
- 12 BATTERY THERMAL SENSOR

SCHEMATIC



120 REF.  
DETAIL C

**MarathonNorco Aerospace**

PO Box 8233, Waco, Texas 76714-8233  
8301 Imperial Dr., Waco, Texas 76712  
Phone (254) 776-0650 / Fax (254) 776-6558

## ILLUSTRATED PARTS LIST

Figure item	Part Number	Nomenclature	Units Per Assy
1	32536-001	BATTERY, M <sup>3</sup> -54-1 19-54M <sup>3</sup> 120 (32537-001)	1
-10	40570-001	CAN ASSY, MARKED	1
11	16065-001	DUST CAP (RBF)	1
-30	32966-001	CELL ASSEMBLY, 54M <sup>3</sup> 120 (32967-001)	19
31	30927-001	FILLER CAP ASSEMBLY & VENT	19
-40		LINERS	
41	32695-001	LINER, BOTTOM	1
42	32695-003	LINER, SIDE	2
43	32695-002	LINER, END CENTER	1
44	32695-005	LINER, CENTER SIDE	2
45	32695-004	LINER, CENTER FRONT	1
-50		SHIMS	
51	9988-320	SHIM, END 3 1/8 x 9 1/8 x .031	3
-60	32910-001	ASSEMBLY, SPACER	1
-70		CONNECTORS	
71	16102-217	CONNECTOR	10
72	10371-005	CONNECTOR	6
73	16167-005	CONNECTOR	2
74	16102-199	CONNECTOR	2
-80	16128-034	BELLEVILLE WASHER	40
-90	10488-011	SCREW, SOCKET HD. CAP 1/4-28 x 9/16	40
-100	32646-002	ASSEMBLY, COVER LINED	1
-110	16163-026	ASSEMBLY RECEPTACLE	1
111	23084-001	SCREW, FL.HD. SEMS 8-32 x 3/8	4
112	26916-006	COVER, INSULATOR M <sup>3</sup> (RBF)	1
-120	32704-001	TEMP. PROBE	1
121	18100-083	WASHER FLAT	4
122	15940-017	SCREW FILLISTER HD 4-40	4
123	32135-001	SS NUT RING	1
124	32706-001	PLATE THERMOSTAT	1
125	15925-008	SCREW FLAT HD 6-32 x.25 LG	2
126	18100-018	FLAT WASHER #6	2
127	6560-002	WASHER LOCK #6	2
128	15111-035	NUT HEX 6-32	2

**RBF - REMOVE BEFORE FLIGHT**

**MarathonNorco Aerospace**

PO Box 8233, Waco, Texas 76714-8233  
8301 Imperial Dr., Waco, Texas 76712  
Phone (254) 776-0650 / Fax (254) 776-6558

IPL-1028