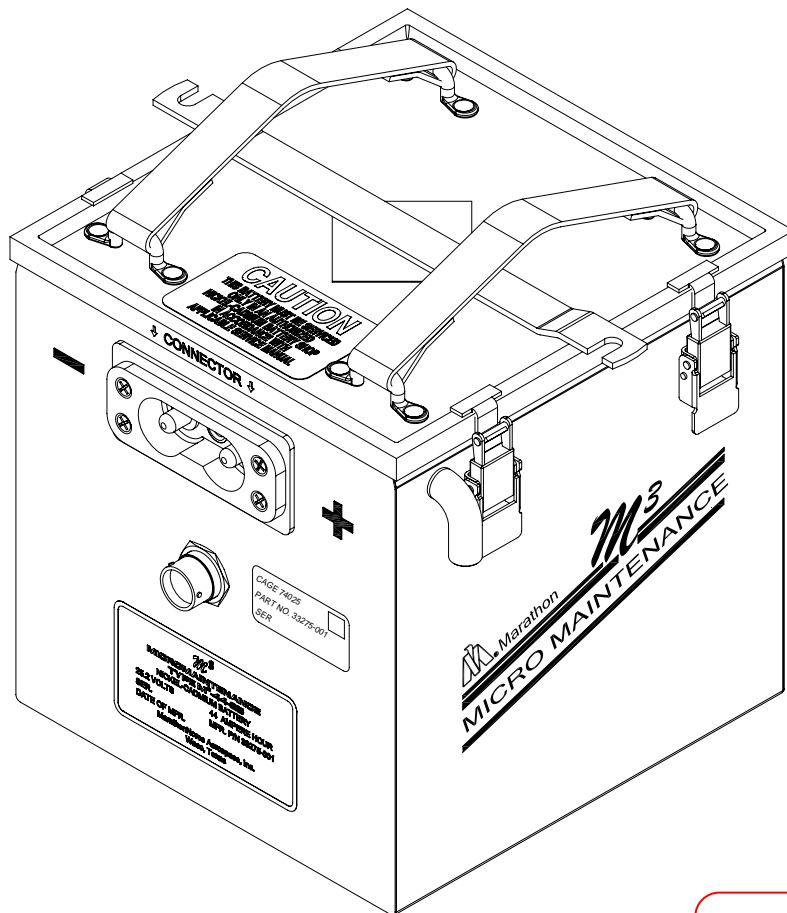




## Nickel-Cadmium Aircraft Batteries

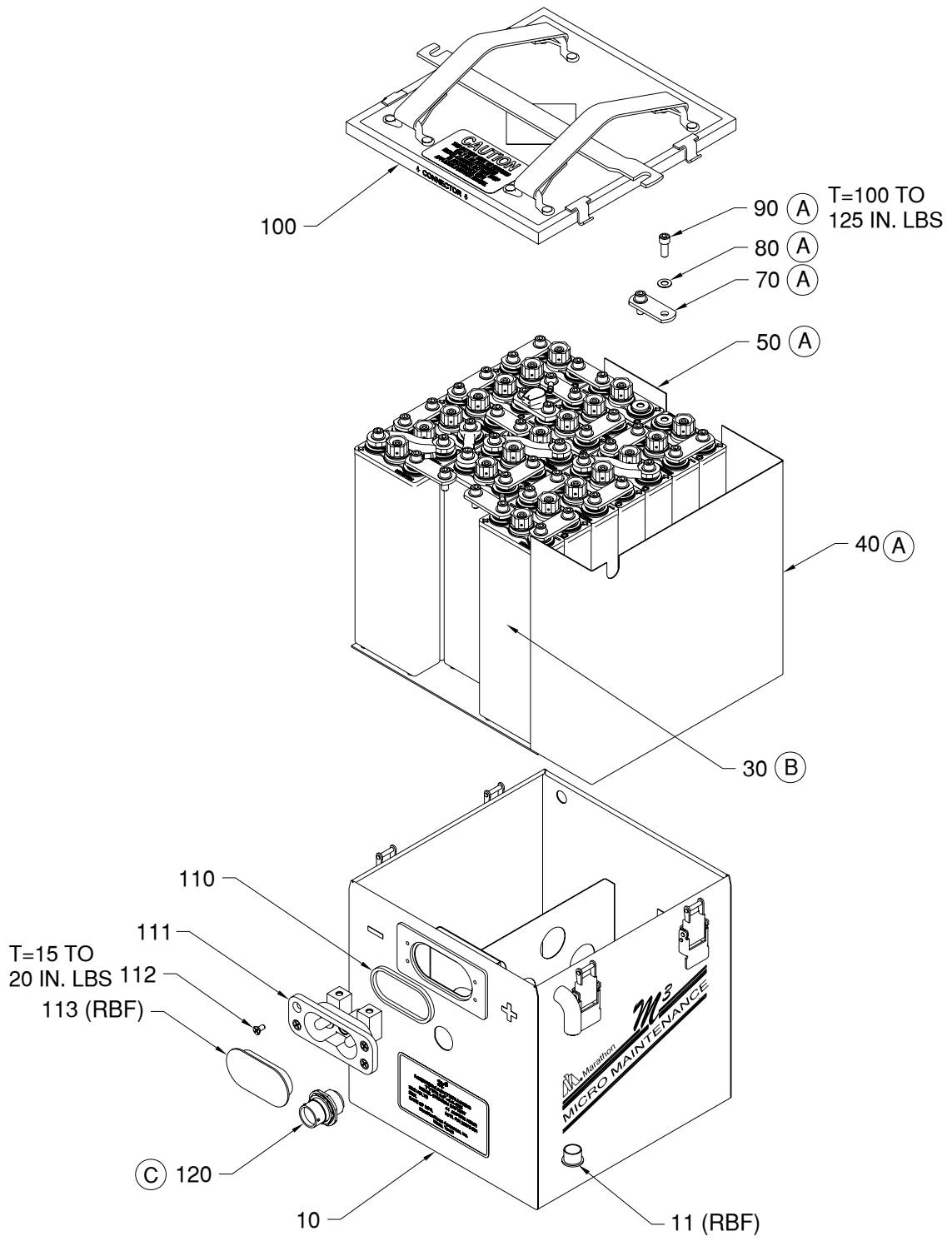
Model M<sup>3</sup>-44-25 Battery Replacement Parts



**MNAI  
Released  
03/04/09  
Non-Controlled**

**MarathonNorco Aerospace**

PO Box 8233, Waco, Texas 76714-8233  
8301 Imperial Dr., Waco, Texas 76712  
Phone (254) 776-0650 / Fax (254) 776-6558

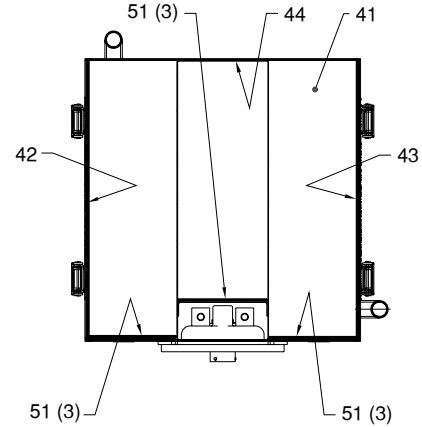
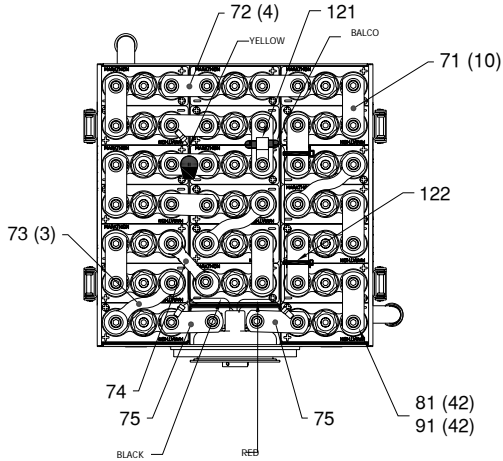


T-TORQUE (IN. LBS.)  
 EXPLODED VIEW

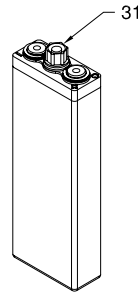
**MarathonNorce Aerospace**

PO Box 8233, Waco, Texas 76714-8233  
 8301 Imperial Dr., Waco, Texas 76712  
 Phone (254) 776-0650 / Fax (254) 776-6558

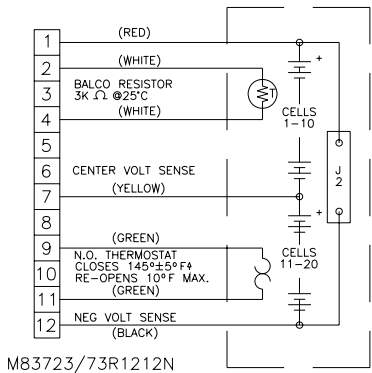
IPL-1053



40-90 REF  
T=TORQUE (IN. LBS.)  
DETAIL A

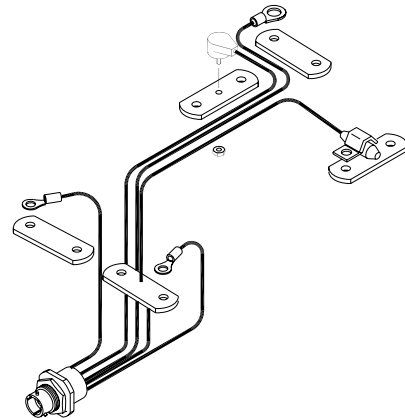


DETAIL B  
30 REF



M83723/73R1212N

SCHMATIC



T= 5 - 7 IN. LBS.  
120 REF  
T=TORQUE (IN. LBS.)  
DETAIL C

Sensor Notes:

1. While in battery assembly, and at 25°C, check functions using volt meter. Pins 9-11 are normally open. Pins 2-4 are 3k Ω ±10%.
2. Once a year, remove sensor assembly and check thermostat function at 145°F (63.8°C). Thermostat should change to "Closed" at 145°F.
3. Once a year check Balco Resistance vs. Sensor temperature in accordance with Table A. Verification at two temperatures is sufficient to demonstrate acceptance.

Table A, Balco Resistor	
Temp, F° (C°)	Resistance Ohms±10%
0 (32)	2708
25 (77)	3000
62.8 (145)	3518

**MarathonNorce Aerospace**

PO Box 8233, Waco, Texas 76714-8233  
8301 Imperial Dr., Waco, Texas 76712  
Phone (254) 776-0650 / Fax (254) 776-6558

IPL-1053

## ILLUSTRATED PARTS LIST

Figure item	Part Number	Nomenclature	Units Per Assy
-1	33275-001	BATTERY 20-44M <sup>3</sup> 120 M <sup>3</sup> -44-25	1
-10	40628-001	CAN ASSY, MARKED	1
-11	16065-012	DUST CAP <b>(RBF)</b>	2
-30	32637-001	CELL ASSEMBLY, 44M <sup>3</sup> 120	20
31	16934-009	FILLER CAP ASSEMBLY & VENT	20
-40		LINERS	
41	32194-003	LINER, BOTTOM	1
42	32194-001	LINER, LEFT SIDE	1
43	32194-002	LINER, SIDE	1
44	32194-004	LINER, CENTER	1
-50		SHIMS	
51	9988-154	SHIM	9
-60			
-70		CONNECTORS	
71	16102-131	CONNECTOR, BATTERY	10
72	16102-187	CONNECTOR, BATTERY	4
73	16167-006	CONNECTOR, S	3
74	16167-007	CONNECTOR	1
75	16102-172	CONNECTOR	2
-80		WASHERS	
81	16128-030	BELLEVILLE WASHER	42
-90		SCREWS & NUTS	
91	10488-011	SCREW, SOCKET HD. CAP	42
-100	40325-003	COVER, MARKED	1
-110	24583-001	RING, RECTANGULAR	1
-111	16163-023	ASSEMBLY RECEPTACLE	1
-112	23084-001	SCREW, FL.HD. SEMS	4
-113	26916-001	COVER, INSULATOR M <sup>3</sup> <b>(RBF)</b>	1
-120	31044-001	ASSEMBLY, TEMP. SENSOR	1
121		ASSEMBLY, BALCO CLAMP AND TUBE	1
122		TIE, CABLE	2

**RBF - REMOVE BEFORE FLIGHT**

**MarathonNorce Aerospace**

PO Box 8233, Waco, Texas 76714-8233  
8301 Imperial Dr., Waco, Texas 76712  
Phone (254) 776-0650 / Fax (254) 776-6558

IPL-1053