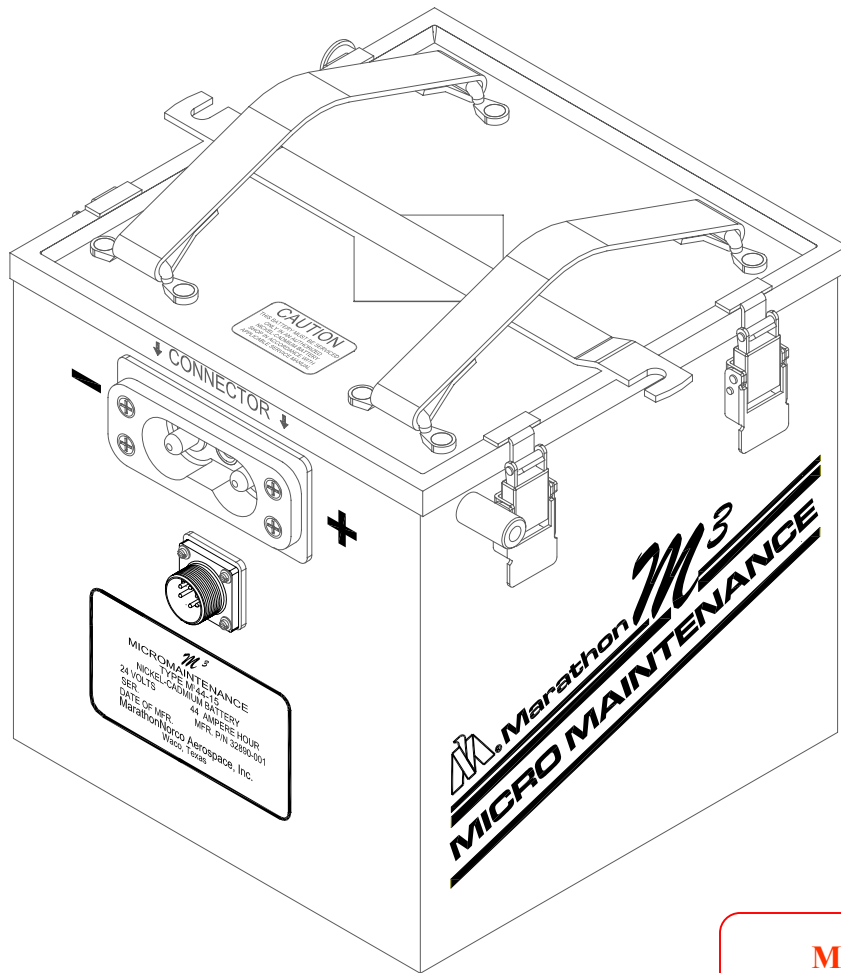




Nickel-Cadmium Aircraft Batteries

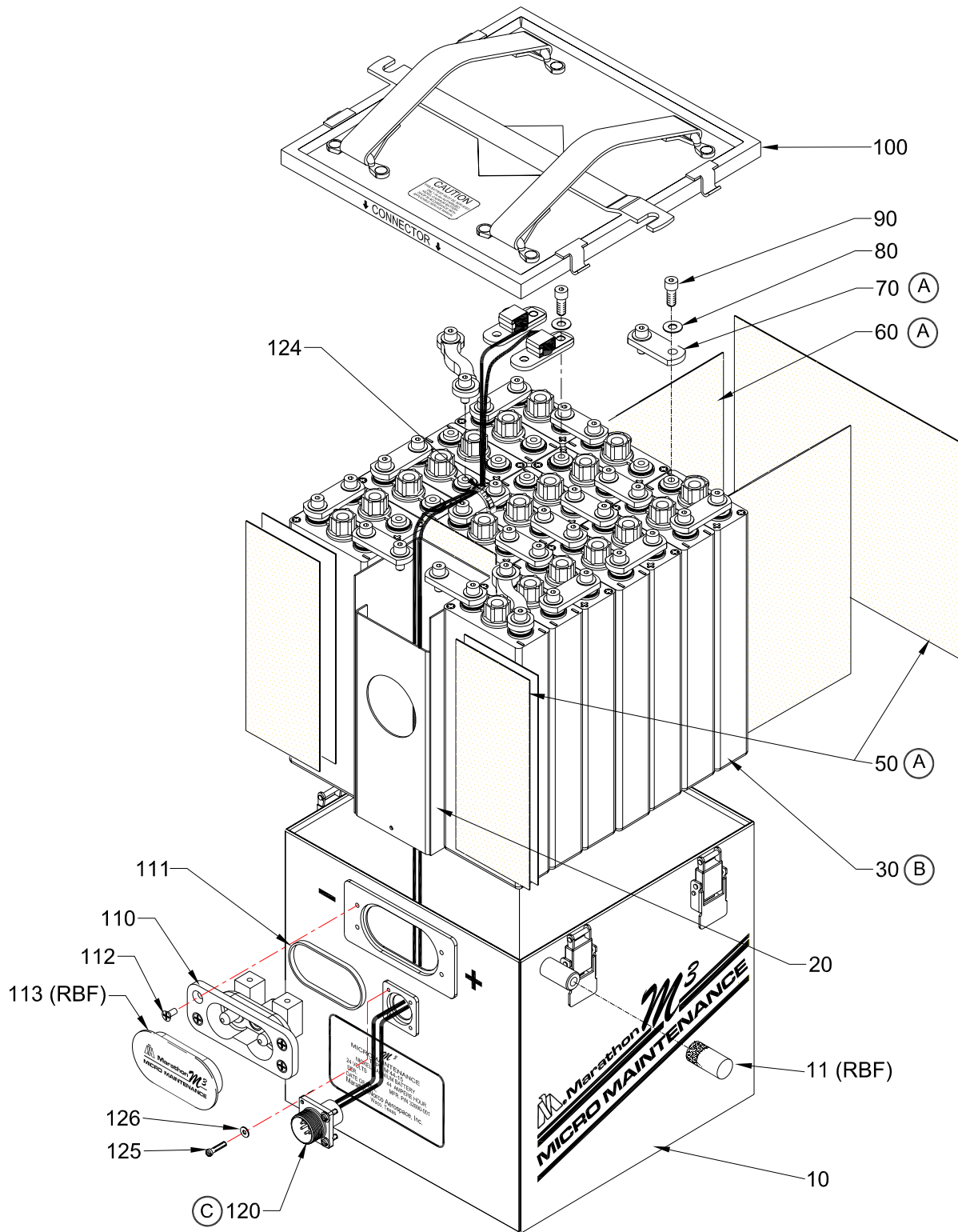
Model M³-44-15 Battery Replacement Parts



**MNAI
Released
Non-Controlled**

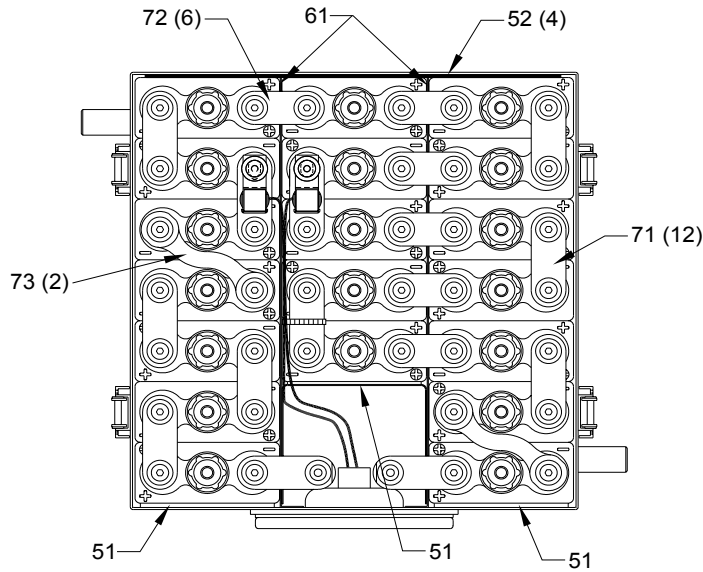
MarathonNorco Aerospace

PO Box 8233, Waco, Texas 76714-8233
8301 Imperial Dr., Waco, Texas 76712
Phone (254) 776-0650 / Fax (254) 776-6558

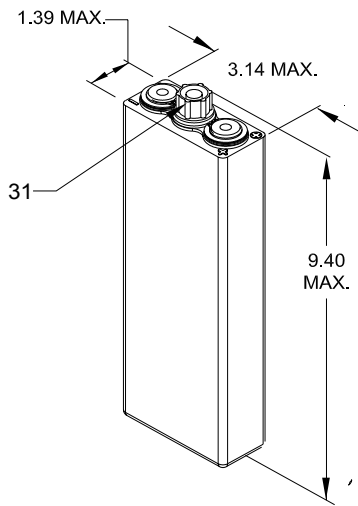


MarathonNorco Aerospace

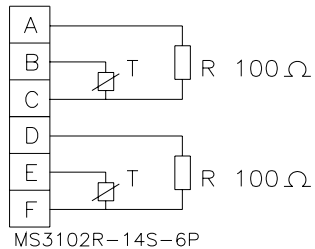
PO Box 8233, Waco, Texas 76714-8233
 8301 Imperial Dr., Waco, Texas 76712
 Phone (254) 776-0650 / Fax (254) 776-6558



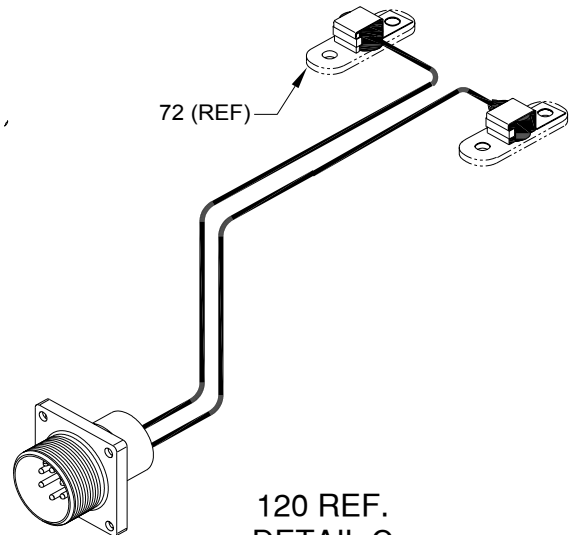
40-70 REF.
DETAIL A



30 REF.
DETAIL B



MS3102R-14S-6P
SCHEMATIC



120 REF.
DETAIL C

MarathonNorco Aerospace

PO Box 8233, Waco, Texas 76714-8233
8301 Imperial Dr., Waco, Texas 76712
Phone (254) 776-0650 / Fax (254) 776-6558

ILLUSTRATED PARTS LIST

Figure item	Part Number	Nomenclature	Units Per Assy
-1	32890-001	BATTERY, M ³ -44-15 19-44M ³ 120 NI-CD (32891-001)	1
10	40562-001	CAN ASSEMBLY, MARKED	1
11	16065-012	DUST CAP (RBF)	2
20	32829-001	SPACER ASSEMBLY	1
30	32637-001	CELL ASSEMBLY, 44M ³ 120 (32638-001)	19
31	16934-009	FILLER CAP ASSEMBLY, V-BAFFLE	19
-40		LINERS	
-50		SHIMS	
51	9988-174	SHIM, 7.50 x 3.00 x .032	3
52	9988-047	SHIM, 7.75 x 9.31 x .032	4
-60		BARRIERS	
61	9988-232	SHIM, 8.875 x 9.625 x .032	2
-70		CONNECTORS	
71	16102-135	CONNECTOR	12
72	16102-136	CONNECTOR	6
73	16167-006	CONNECTOR	2
80	16128-034	BELLEVILLE WASHER	40
90	10488-011	SCREW, SOCKET HD. CAP 1/4-28 x 9/16	40
100	40325-005	COVER ASSEMBLY, MARKED	1
110	16163-023	RECEPTACLE ASSEMBLY	1
111	24583-001	RING, RECTANGULAR	1
112	23084-001	SCREW, FLAT HD. SEMS 8-32 x 3/8	4
113	26916-006	COVER, INSULATOR M ³ (RBF)	1
120	29529-001	TEMPERATURE PROBE	1
124	29247-001	CABLE TIE	1
125	15940-028	SCREW, FILLISTER HD.	4
126	6560-006	WASHER, LOCK	4

RBF-REMOVE BEFORE FLIGHT

MarathonNorco Aerospace

PO Box 8233, Waco, Texas 76714-8233
8301 Imperial Dr., Waco, Texas 76712
Phone (254) 776-0650 / Fax (254) 776-6558

IPL-1022