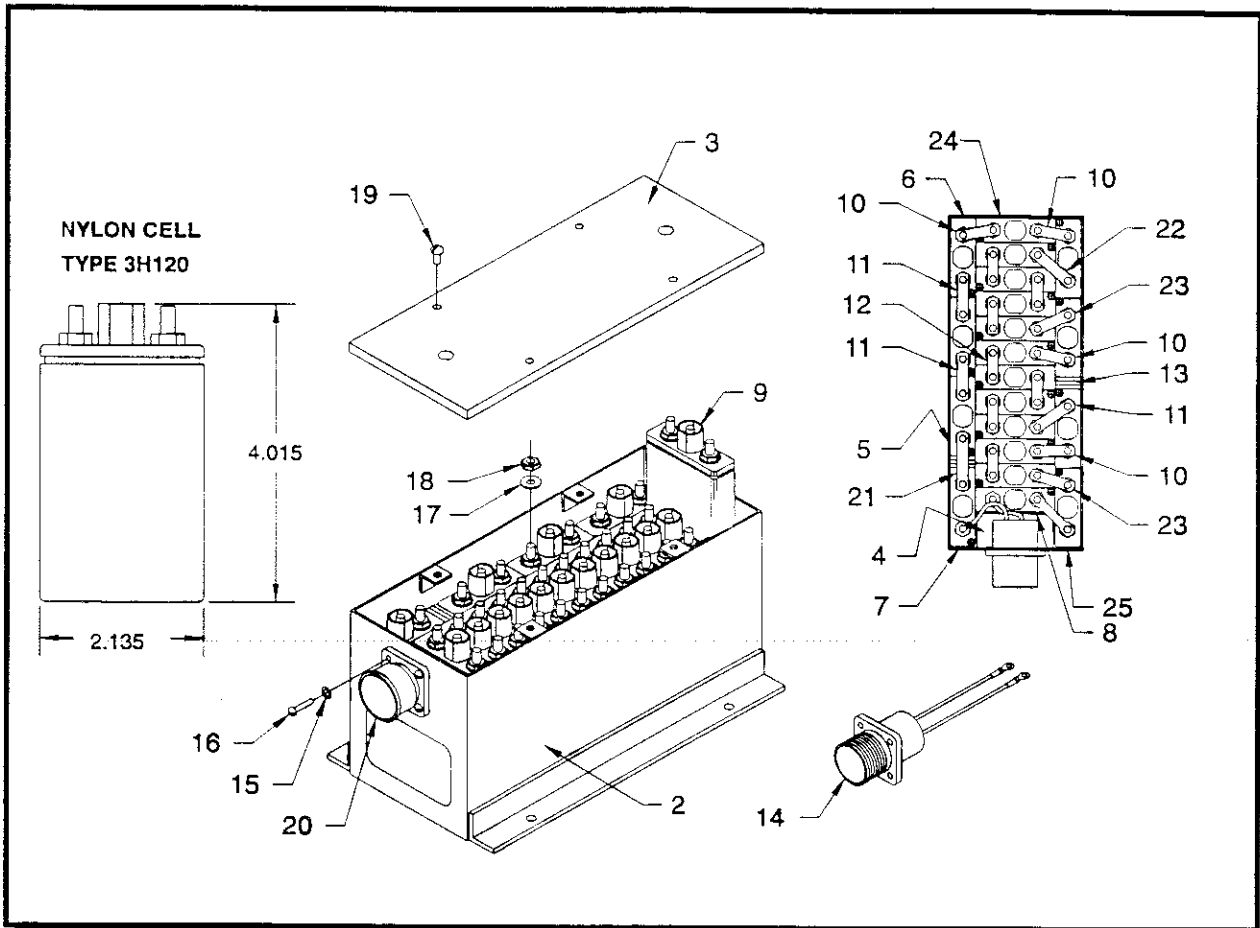


Marathon Power Technologies Company

Nickel-Cadmium Aircraft Batteries

Model CA-125-20 Replacement Parts



ITEM	DESCRIPTION	PART NUMBER	QTY	ITEM	DESCRIPTION	PART NUMBER	QTY
1	BATTERY - CA-125-20	27518-002	1	14	RECEPTACLE ASSY	27522-001	1
2	CAN, MARKED	40382-001	1	15	LOCKWASHER	6560-006	4
3	COVER, ASSEMBLY	28585-001	1	16	FILLISTER HD.SCREW	15940-028	4
4	LINER, BOTTOM	28589-003	1	17	WASHER, BELLEVILLE	16128-028	40
5	LINER, SIDE	28589-001	2	18	NUT, HEX	15111-058	40
6	LINER, END	28589-002	1	19	SCREW, BINDING HD.	9954-008	4
7	LINER, END	28589-005	1	20	DUST CAP	10113-007	1
8	LINER, FRONT	28589-004	1	21	CONNECTOR	10371-139	1
9	CELL, 3H120	22378-001	20	22	CONNECTOR	10371-169	1
10	CONNECTOR	10371-104	4	23	CONNECTOR	10371-110	2
11	CONNECTOR	10371-102	3	24	SHIM	9988-002	2
12	CONNECTOR	10371-103	7	25	LINER, END	28589-006	1
13	SHIM	9988-265	6	26	CONNECTOR	2219-008	1



Marathon Power Technologies Company

Battery Products

P.O. Box 8233, Waco, Texas 76714

8301 Imperial Drive, Waco, Texas 76712

TEL (817) 776-0650 FAX (817) 776-6558

H1195