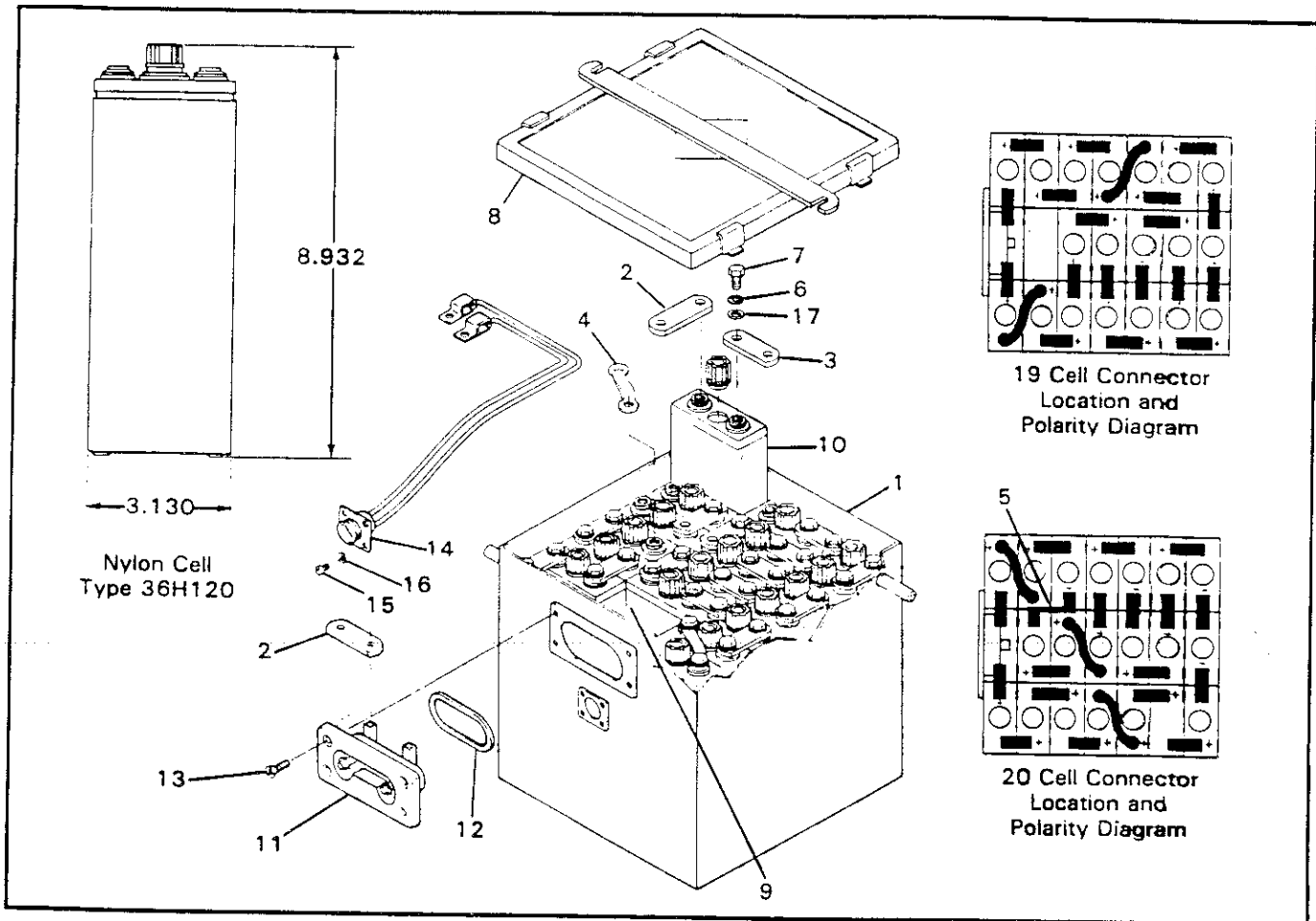


Marathon Power Technologies Company

Sintered-Plate Nickel-Cadmium Aircraft Batteries

Parts List
BTMA-5
BTCA-5-20
BTMA-5-50



Model BTMA-5, BTCA-5-20, BTMA-5-20 Battery Replacement Parts

Item	Description	Part		Part		Part	
		Number	Qty	Number	Qty	Number	Qty
1	Can Assembly	29134-001	1	29134-001	1	29134-001	1
2	Connector	16102-003	12	16102-006	12	16102-006	12
3	Connector	16102-052	6	16102-052	5	16102-052	5
4	Connector	16167-003	2	16167-003	3	16167-003	3
5	Connector		-	25091-001	1	25091-001	1
6	Belleville Spring	16128-001	40	16128-001	42	16128-001	42
7	Screw, Socket Head Cap	10488-020	40	10488-020	42	10488-020	42
8	Cover Assembly	23147-003	1	23147-003	1	23147-003	1
9	Spacer	28896-000	1	27291-001	1	27291-002	1
10	Cell Assembly	18191-011	19	18191-011	20	18191-011	20
11	Receptacle	16163-007	1	16163-007	1	16163-007	1
12	Ring, Rectangular	24583-001	1	24583-001	1	24583-001	1
13	Screw, Flat	23084-001	4	23084-001	4	23084-001	4
14	Temperature Sensor Assembly	29529-001	1	29529-001	1	29529-001	1
15	Screw, Phillips Head	15940-028	4	15940-028	4	15940-028	4
16	Lockwasher	06560-006	4	06560-006	4	06560-006	4
17	Washer, Flat		-	23591-001	42	23591-001	42

 **Marathon Power Technologies Company**

P.O. Box 8233 • Waco, Texas 76714-8233
 8301 Imperial Drive • Waco, Texas 76712-6588
 Phone 817-776-0660 • Fax 817-776-6568