



**CHRISTIE®**

A Division of MarathonNorco Aerospace, Inc.

## Christie Rectodyne 28 VDC GPU Model R-400



### Features and Benefits

- Weatherproof Package
- 2000 Amps Peak for Turbine Spooling
- 400 Amps Continuous
- Adjustable Output Current Limiting
- Worldwide, Three-Phase 50/60Hz Ac Input
- Rugged Analog Meters
- Easy-View Slanted Front Panel
- Convenient Cable Hooks
- Automatic Thermal Protection
- Fan Failure Protection
- RFI Suppression
- Remote ON-OFF Capability
- Christie Reliability & Long-life
- Economical Operation

### Aircraft Starting and Servicing

For over seventy years, Christie's Rectodyne Series ground power units have been the industry standard for servicing and starting turbine-powered aircraft and helicopters around the world.

The Rectodyne Model R-400 represents the culmination of the many features of the entire Rectodyne line, plus several new features as well. New features include upgraded internal controls, which mean greater reliability and more stable unit performance, making the R-400 the best choice for aircraft servicing.

### Capable, Rugged, and Reliable

The Rectodyne Model R-400 serves a broad range of aircraft ground power needs. It provides high currents for fast, reliable turbine spooling, as well as regulated DC power for avionics and lighting systems. Efficient and economical, the Model R-400 is the unit of choice for aircraft servicing functions in the hangar or the ramp.

The qualities and characteristics of the Rectodyne Model R-400 are summed up in one word—Reliability. And that means failure-free performance under all conditions.

The Rectodyne Model R-400 is designed specifically for electrical and mechanical simplicity, physical ruggedness and component accessibility, all of which contribute to its high reliability, ease-of-use and easy maintenance.

**CHRISTIE®**

# Christie Rectodyne 28 VDC GPU Model R-400

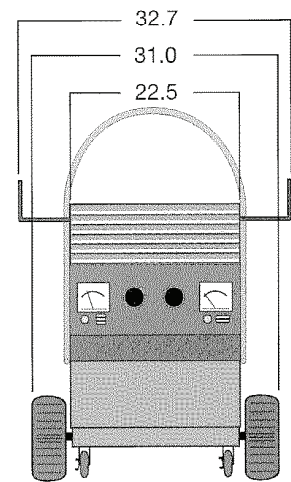
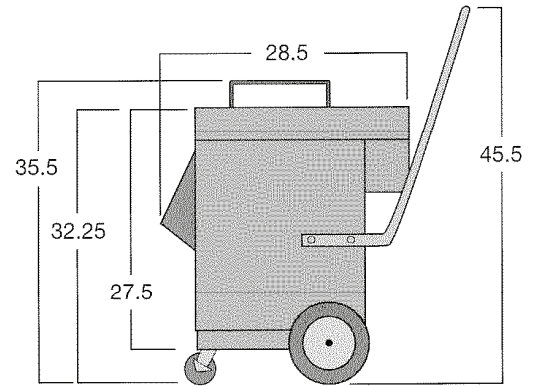
The Model R-400 accepts three-phase, 50/60Hz, 208, 230, 380 or 460 VAC input power, allowing the unit to be used virtually anywhere in the world.

Built in safety features include heavy-duty thermostats in the input control circuit, which are designed for thermal overload protection, and automatic shut down by an airflow sensor in the event of a ventilating fan failure.

The robust design of the GPU's heavy-duty power transformer ensures easy handling of any application's high current demands, without compromising reliability and long life. Multiple taps on the transformer secondaries allow the output voltage of the GPU to be adjusted, and a resistor network permits the output current to be limited. These functions are conveniently controlled from the front panel using multi-position switches.

DC output provided by the Model R-400 is fully filtered to eliminate ripple voltages and spikes from entering the turbine and avionics, and to suppress all RFI energy produced by the transient generating circuits to better than MIL-STD-461A.

In addition to its highly rugged construction, the Model R-400 offers the user many ergonomic and convenience design features such as separate, easy-to-read voltage and current analog meters, and large, pneumatic rear-wheel tires for ease-of-mobility on the ramp or in the hangar. Additional standard features include 115VAC convenience duplex outlet for accessories, lighting or power tools, and side cable hooks for storage of connecting power cables.



## Model R-400 SPECIFICATIONS

## CONTROLS & INDICATORS

### Mechanical

- Height: 45.5 inches
- Width: 32.7 inches
- Depth: 28.5 inches
- Weight: 460 pounds (209 kg)
- Mobility: 10-inch pneumatic-tire rear wheels, lockable steel front casters, steel handle
- Front Panel: Hinged Lexan® control panel cover

### Electrical-Input

- Voltage: 208/230/380/460 VAC, 3 phase 50/60 Hz
- Current: 40A at 208 VAC, 18A at 460 VAC

### Electrical-Output

- 28 VDC nominal (adjustable 26-30 VDC)
- Current: 400A continuous, 2,000A peak

**Input Power:** Separate ON and OFF pushbutton switches.

**Power ON Indicator:** Pilot light for ON.

**Output Voltage:** Front-panel, 6-position switch.

**Output Voltage Measurement:** Front-panel meter, 0 to 50 VDC.

**Output Current Limiting:** Front-panel, 6-position switch.

**Output Current Measurement:** Front-panel meter, 0 to 2,400 ADC.

### Environmental

- Operational: 20°C (-4°F) to 55°C (131°F)
- Storage: -62°C (-80°F) to 70°C (158°F)

### RFI Suppression

- Better than MIL-STD-461A

MarathonNorco Aerospace, Inc.  
8301 Imperial Drive  
Waco, TX. 76712  
254-776-0650  
www.mnaerospace.com

© Copyright MarathonNorco Aerospace, Inc. All rights reserved. Christie, CASP, ReFLEX, ProEase and Marathon are registered trademarks of MarathonNorco Aerospace, Inc.

CHRISTIE®