



Marathon Power Technologies

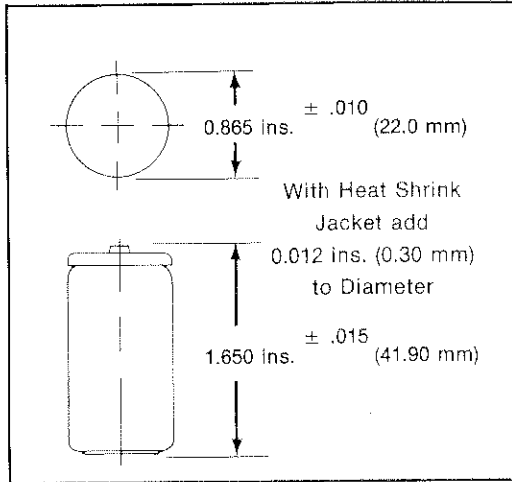
Battery Products
 P.O. Box 8233 • Waco, Texas 76714-8233
 (817) 776-0650 • TWX 910-894-5203 MARATHON WAC
 FAX 817-776-6558

MPT — S113

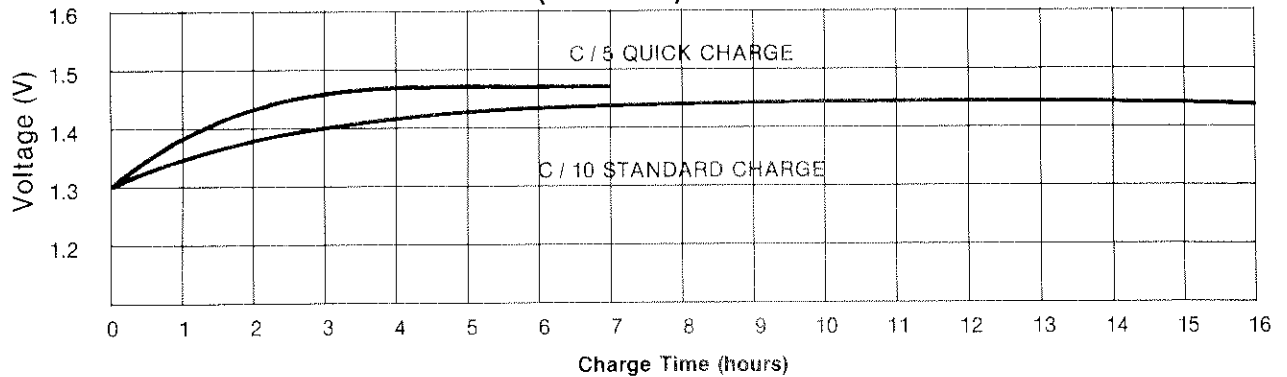
1200 mAh
 ("C")
 S

Specifications

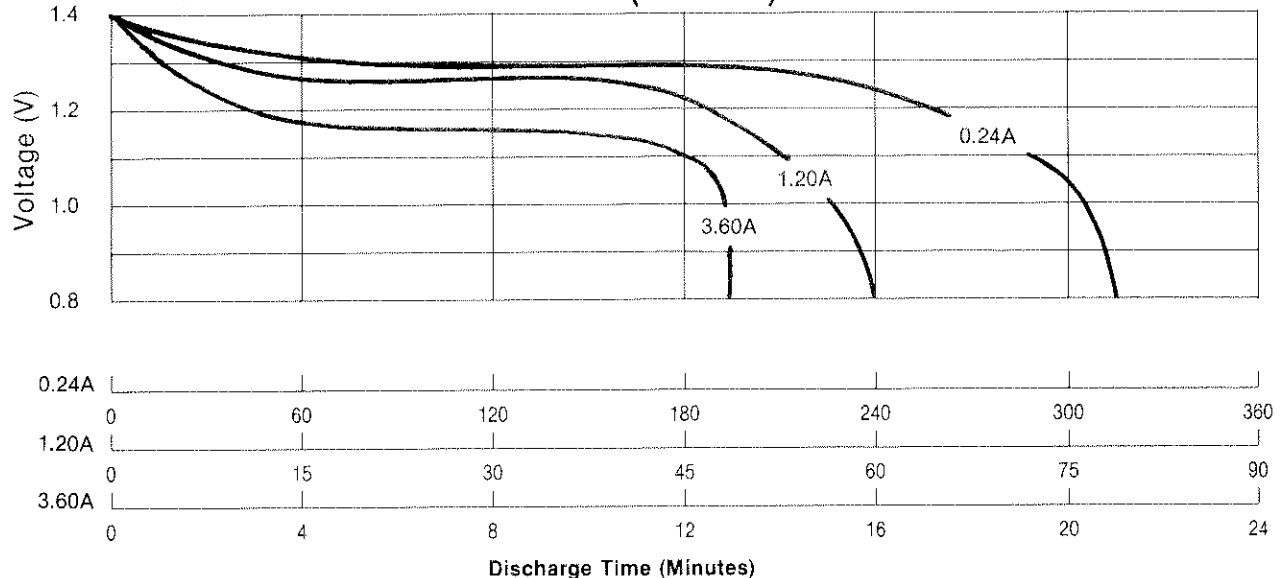
Nominal Voltage		1.2 V		
Capacity (mAh)		C / 5	C	3C
	Minimum	1200	1060	720
MINIMUM CAPACITY RATED AT C / 5 20°C OTHER CAPACITIES ARE FOR REFERENCE				
Weight (Ref.)		1.6 oz.		
Charge Current	Standard (C / 10)	120 mAh - 16 Hrs.		
	Quick (C / 5)	240 mAh - 7 Hrs.		
	Trickle (C / 20)	60 mAh		
Ambient Temperatures	Charge	0° TO 35°C		
	Discharge	0° TO 50°C		
	Storage	-20° TO 45°C		



CHARGE DATA (20°C)



DISCHARGE DATA (20°C)



RS-95138-9 0388

Discharge Rate (Amps)

Discharge Time (Minutes)