



# Marathon Power Technologies

Battery Products  
 P.O. Box 8233 • Waco, Texas 76714-8233  
 (817) 776-0650 • TWX 910-894-5203 MARATHON WAC  
 FAX 817-776-6558

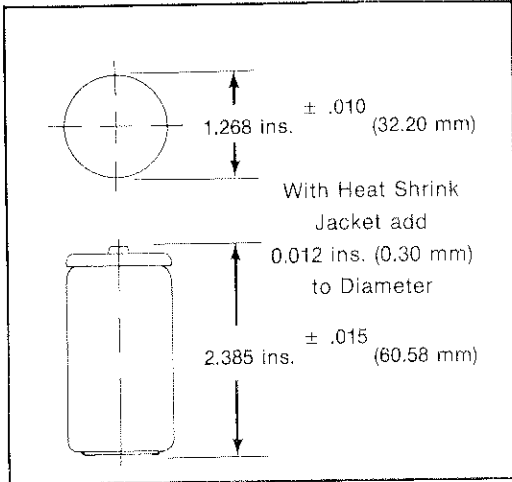
MPT — S103

4000 mAh

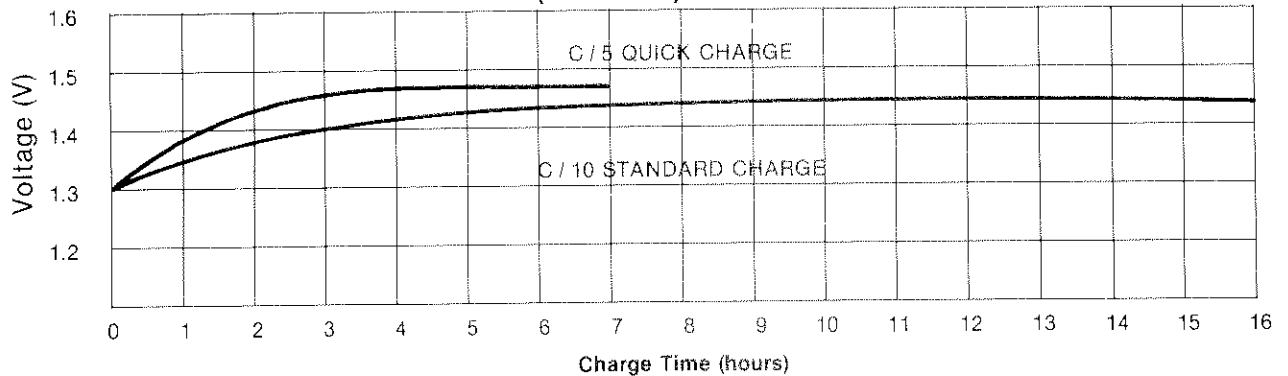
("D" STANDARD)

### Specifications

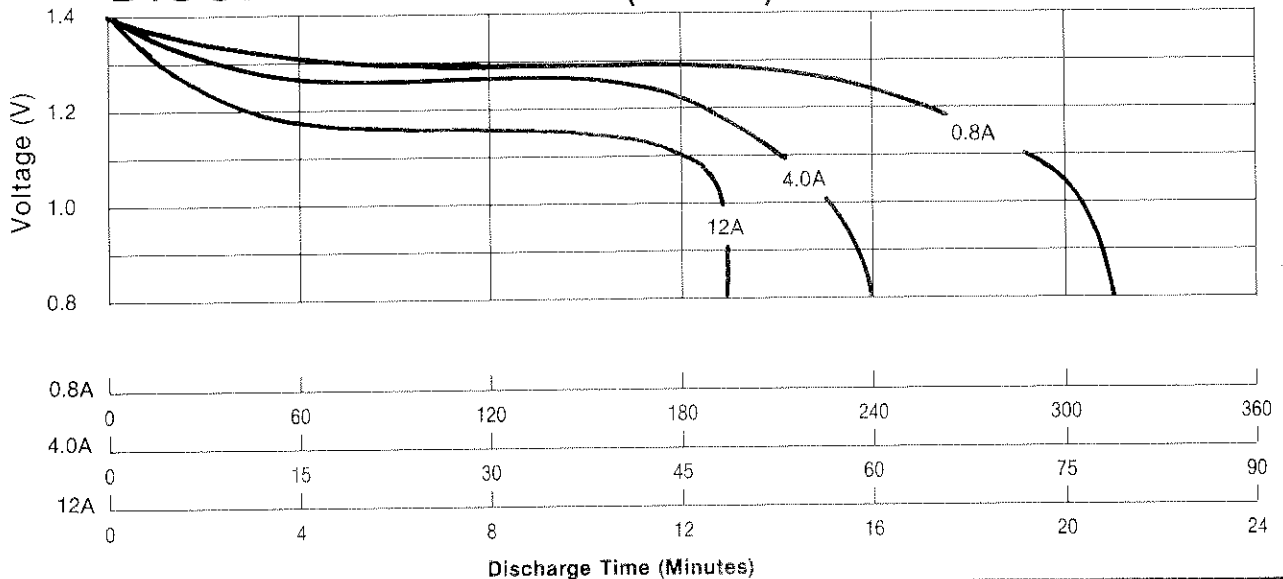
Nominal Voltage		1.2 V		
Capacity (mAh)		C / 5	C	3C
	Minimum	4000	3600	2400
MINIMUM CAPACITY RATED AT C / 5 20°C OTHER CAPACITIES ARE FOR REFERENCE				
Weight (Ref.)		5.5 oz.		
Charge Current	Standard (C / 10)	400 mAh - 16 Hrs.		
	Quick (C / 5)	800 mAh - 7 Hrs.		
	Trickle (C / 20)	200 mAh		
Ambient Temperatures	Charge	0° TO 35°C		
	Discharge	0° TO 50°C		
	Storage	- 20° TO 45°C		



## CHARGE DATA (20°C)



## DISCHARGE DATA (20°C)



RS-95138-3 0388

Discharge Rate (Amps)

Discharge Time (Minutes)